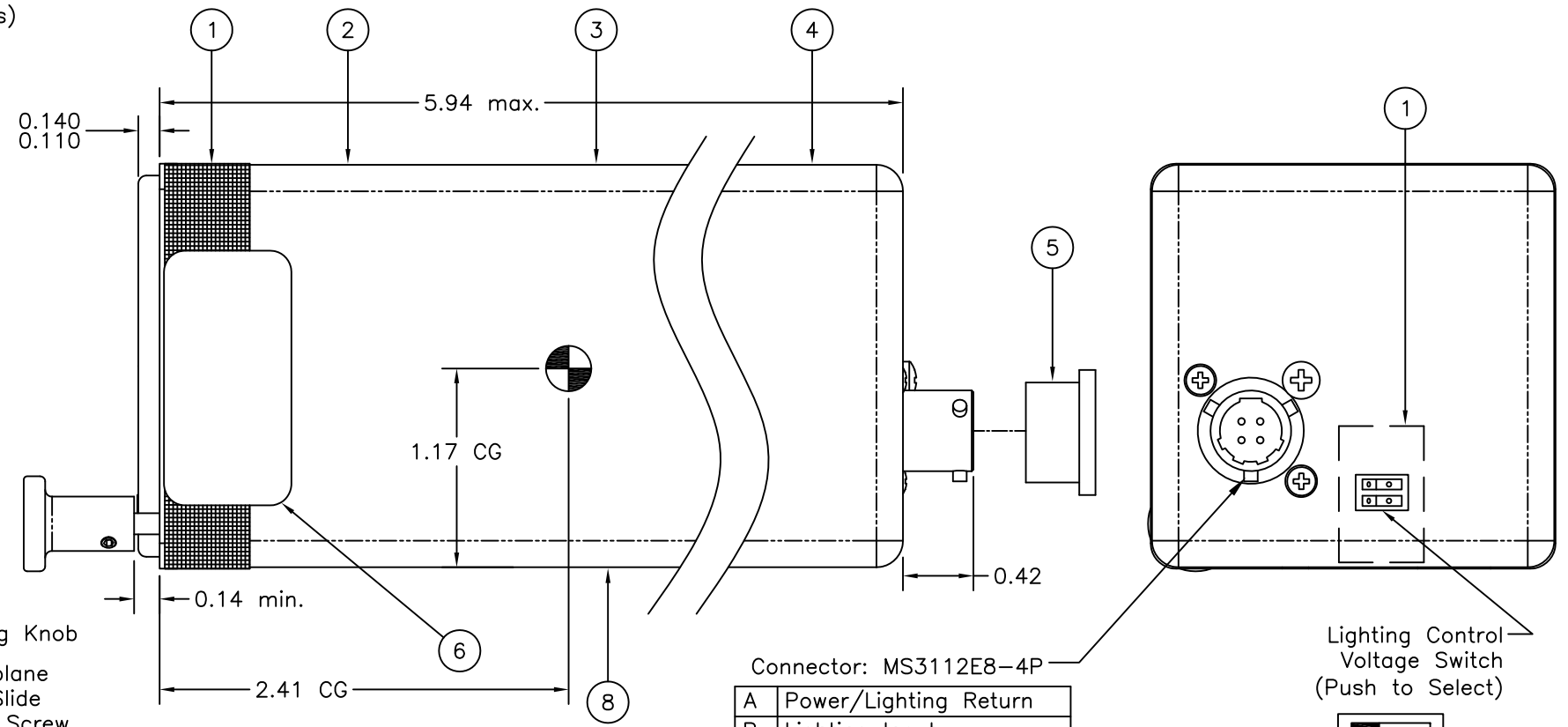
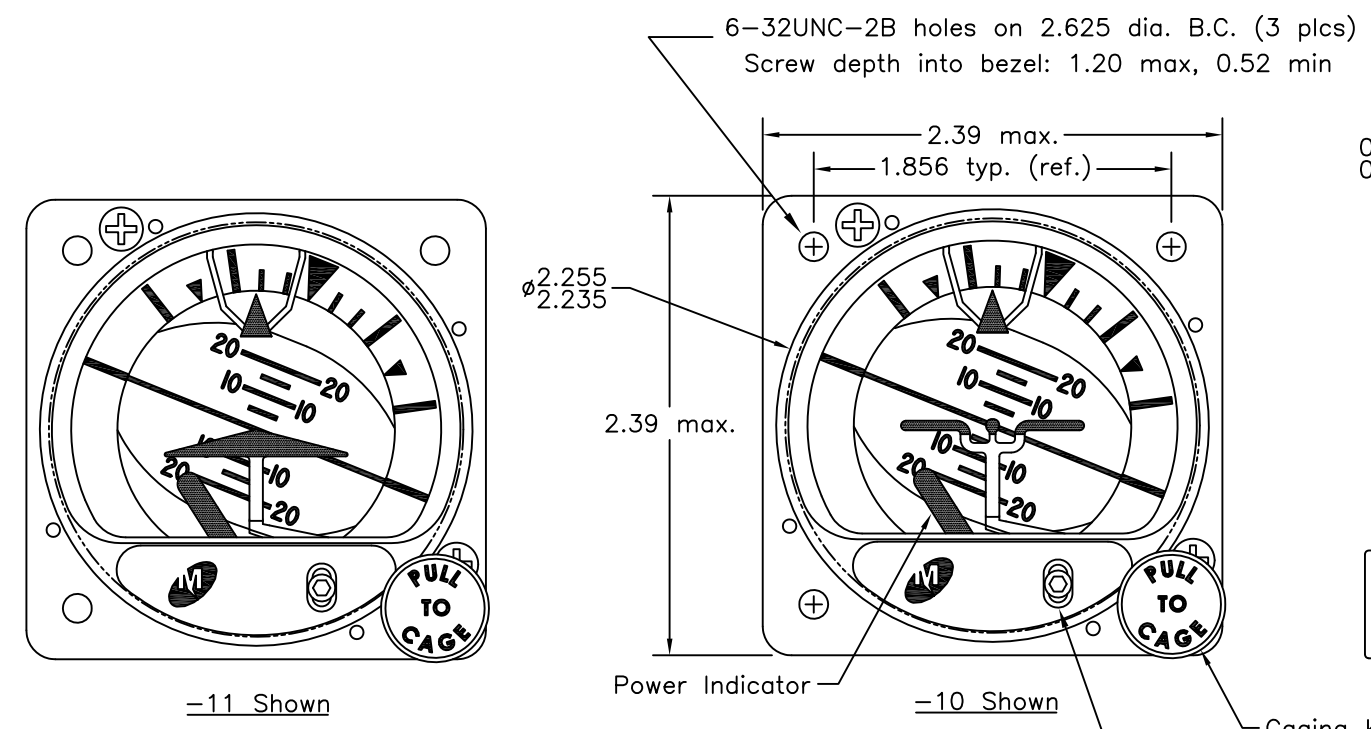


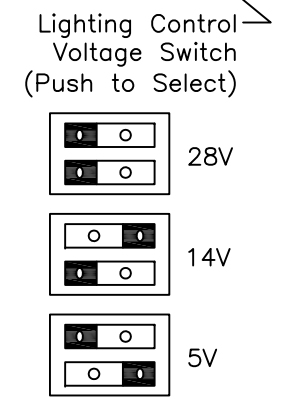
Configuration		
Dash #	Symbolic Airplane	Indicator Assy
-10	Traditional	9016154-10
-11	Delta	9016154-11

Revisions				
ECO	Rev.	Description	Date	Approved
	1	Initial Release.	4/10/05	JBR/BAW
	A	Production Release. Change numerous items.	8/23/05	JBR/BAW
4535	B	Update Current Rating: 1.4A was 1.2A, 0.37-0.51A was 0.35A±15%, 0.18-0.25A was 0.18A±15%.	2/3/06	JBR/BAW
5056	C	Update RTCA DO-160 HIRF qualification from [WW] to [WF] and lightning from [A3C3] to [A3H33]. Add note 2.	7/30/08	MKN/NL

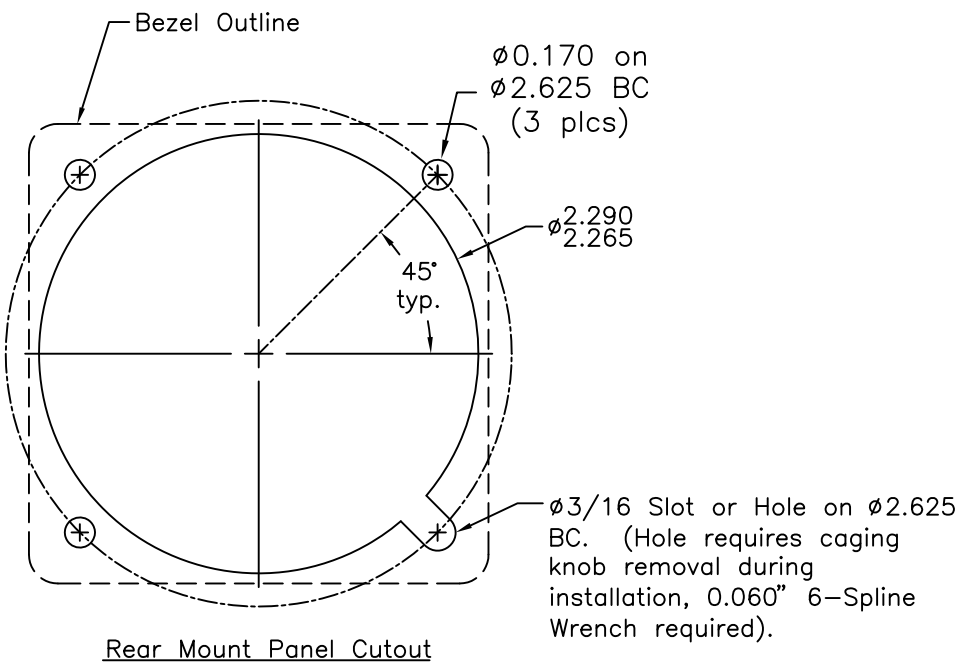


Connector: MS3112E8-4P

A	Power/Lighting Return
B	Lighting Input
C	+10VDC to 32VDC Input
D	Not Used



Specifications	
Power Input	10 to 32 VDC
Current Rating	At 13.75 VDC Start: 1.4A Max Run: 0.37-0.51A At 27.5 VDC Start: 0.6A Max Run: 0.18-0.25A
Lighting	Internal White LED. Lighting control voltage is selectable for 5V, 14V or 28V DC.
Panel Tilt	0° to 20°, set to customer requirements.
Weight	1.6 lbs.
MTBF	2500 hours
Qualification Tests	FAA TSO-C4c RTCA DO-160D Environmental Category C1BABXXXXXXZZA[Z][WF]M[A3H33]XXA
Temperature	-30°C to +70°C Operating
Altitude	-1000 to +35,000 Ft. 41,000 Ft Decompression
Connector	MS3112E8-4P
Mating Connector	MS3116F8-4S or equivalent (P/N 9015514)
Color	Index Marks and Text: White Dial Background: Blue (top half)/Brown (bottom half) Roll Pointer & Symbolic Airplane: Orange Bezel: Black Power Indicator: Red
Display Configuration	Dials As Shown: Rotating roll dial/fixed roll pointer. Symbolic Airplane: Delta or Traditional configuration.
Cover Glass	HEA (Anti-Reflective) Coated



- Note:
- 1) Bezel/Cover seam and lighting voltage switch shall be covered with acetate tape for dust protection.
 - 2) Modification Status:
MOD 1: N/A
MOD 2: updated RTCA DO-160 HIRF and lightning qualifications

UNLESS OTHERWISE SPECIFIED, ALL DIMENSIONS ARE IN INCHES.
TOLERANCE:
FRACTIONAL=±1/64
.XX=±0.015
.XXX=±0.005
.XXXX=±0.002
ANGULAR=±0.5°
CONCENTRICITY: 0.005 TIR
BREAK ALL SHARP EDGES
THREADS PER MIL-S-7742

DRAWN:
J. Reed
4/10/05
APPROVED:
BAW
4/11/05

This document discloses proprietary information of Mid-Continent Instrument Co. It may be reproduced or disclosed only with written permission of Mid-Continent Instrument Co. and is not to be used in any way detrimental to the interests of Mid-Continent Instrument Co.



TITLE: Attitude Indicator, Electric	PART NUMBER: 4200-1()
SCALE: None	DO NOT SCALE THIS DRAWING
SHEET 1 of 1	

Item	Qty	Part Number	Description
1	A/R	8017360	Tape, Acetate
2	1	6018865	Decal, Caution
3	1	9016156-1	Nameplate
4	1	9016157-1	Decal, Tilt/Ltg
5	1	8012486-10YF	Cover, Connector
6	1	6018956	Decal, Warranty
7	1	9015514	Mating Connector
8	1	See Config.	Attitude Indicator Assy