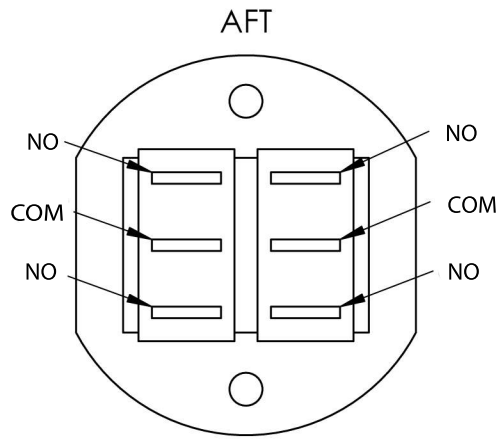
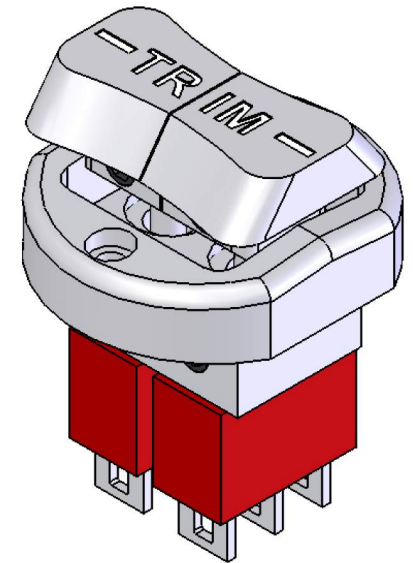
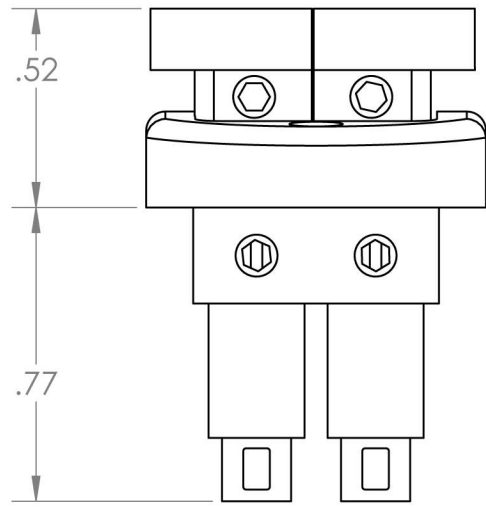
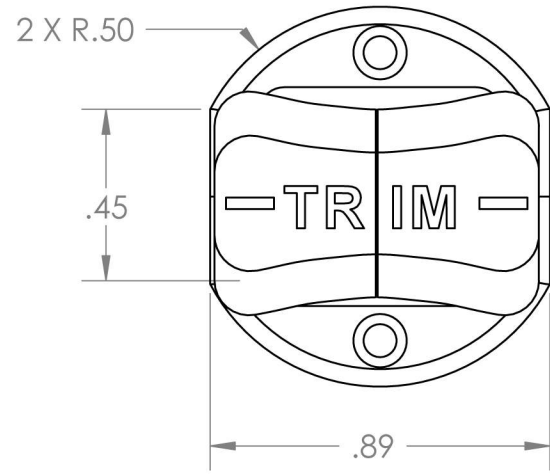


TRIM SWITCH CUT OUT PATTERN



FOR ELECTRICAL DIAGRAM

PROPRIETARY AND CONFIDENTIAL
 THE INFORMATION CONTAINED IN THIS DRAWING IS THE SOLE PROPERTY OF <CYGNET AEROSPACE>. ANY REPRODUCTION IN PART OR AS A WHOLE WITHOUT THE WRITTEN PERMISSION OF <CYGNET AEROSPACE> IS PROHIBITED.

CYGNET AEROSPACE

TITLE:
CA3112 TRIM SWITCH

| | | |
|------------|---------|--------------|
| SIZE | | REV |
| SCALE: 2:1 | WEIGHT: | SHEET 1 OF 1 |