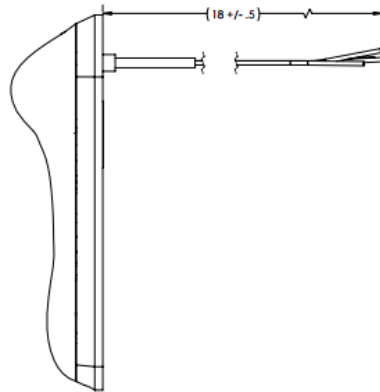
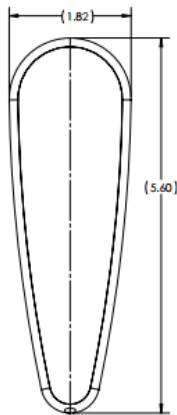
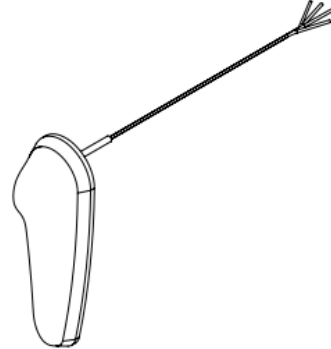
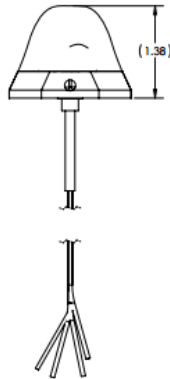




Product Datasheet
Pulsar Nav/Position/Strobe Light
11-1100-24-() red and green



Voltage: 18-36VDC
 Position Light Current: 0.4A at 28V combined
 Strobe Peak Current: 5A at 28V for 0.19 seconds combined
 Power: 52 Watts Average combined
 Strobe Power Supply: Built In
 Strobe Synchronization: Built In
 Thermal Protection: Built In
 Nav/Position Light: TSO C-30c Type I, Type II, Type III
 Strobe: TSO C-96a Class II
 LED Count: 48 combined

Length: 5.6"
 Width: 1.82"
 Depth: 1.38"
 Weight: 8 Oz
 Heat Sink Material: Aluminum/Clear Anodized
 Lens Material: Polycarbonate
 Mounting: Bracket with set screw
 MTBF: >30,000 Hours
 Temperature Range: -55C to +70C