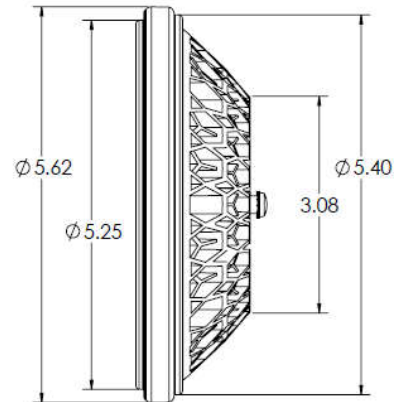
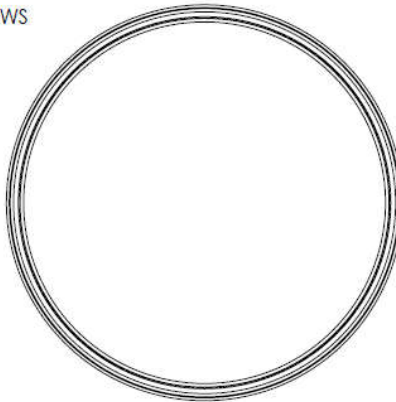
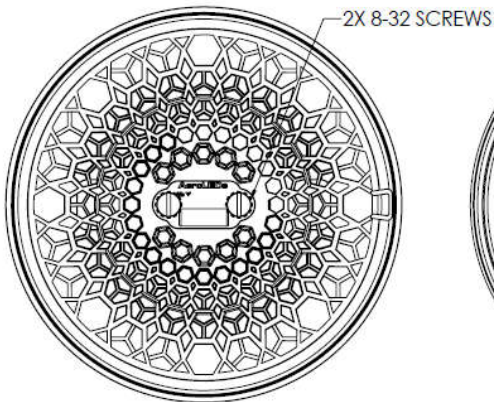
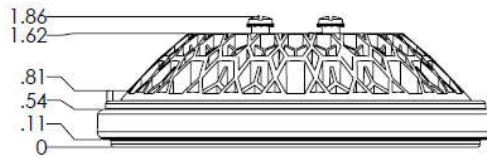




## Product Datasheet

### SunSpot 46-4580 Landing Light

01-2230-4580



<b>Voltage:</b>	28VDC/28VAC	<b>Length:</b>	5.6"
<b>Current:</b>	6.3A at 28VDC	<b>Width:</b>	5.6"
<b>Power:</b>	175 Watts	<b>Depth:</b>	1.9"
<b>Pulse/WigWag:</b>	N/A	<b>Weight:</b>	20 ounces
<b>Synchronization:</b>	N/A	<b>Heat Sink Material:</b>	Aluminum/ Black Powder Coat
<b>Thermal Protection:</b>	Built In	<b>Lens Material:</b>	Polycarbonate
<b>Lumens:</b>	19,250 lm	<b>Lens Protection:</b>	Optional Film
<b>Candela:</b>	250,000 cd	<b>Mounting:</b>	PAR 46 Ring Clamp
<b>Beam Profile (@10% peak):</b>	Vertical: 20°	<b>MTBF:</b>	>30,000 Hours
	Horizontal: 20°	<b>Temperature Range:</b>	-55C to +70C