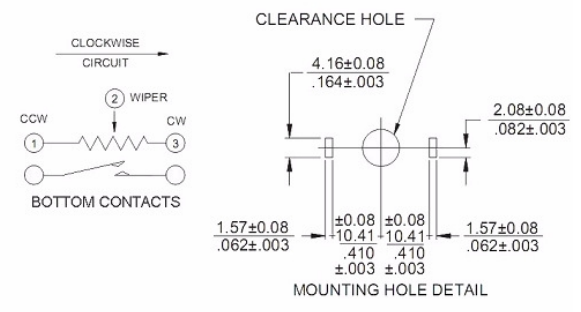
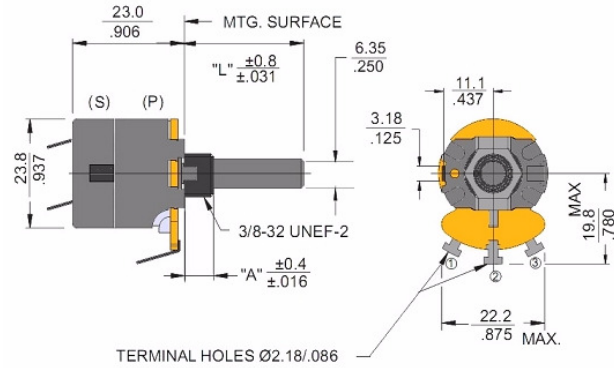


PART No: 1G01-1

FILE: 1G01-1\_Inst.t4g

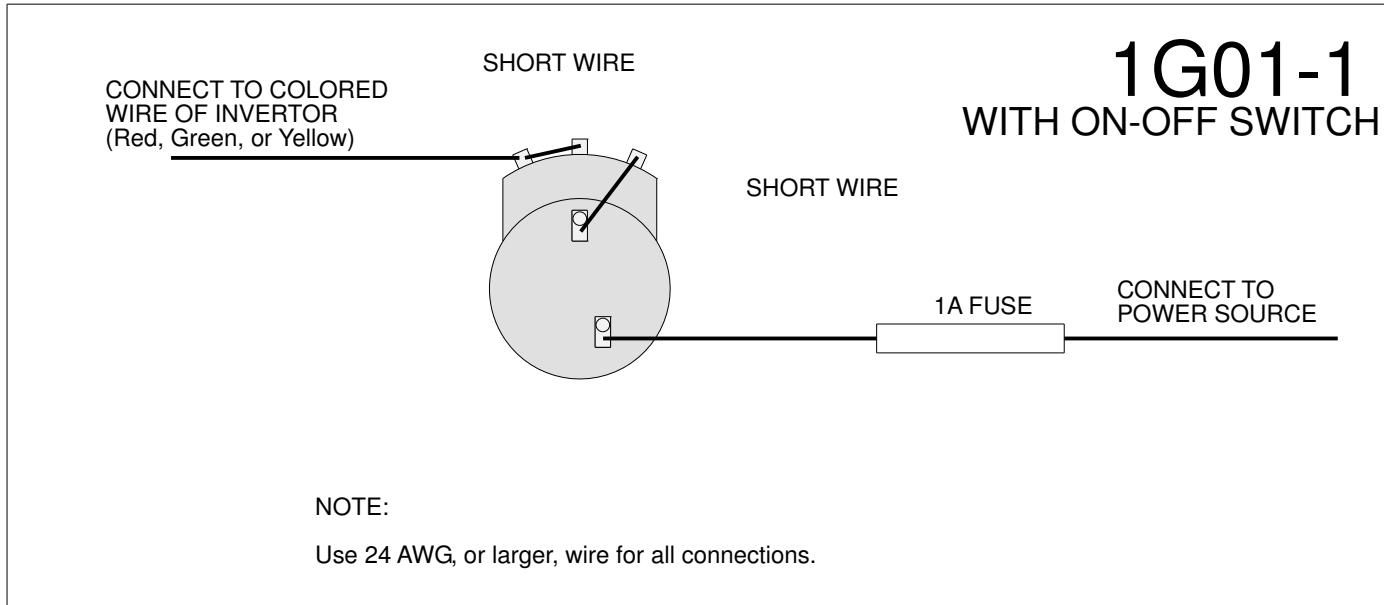
APP. SUPPLIER:

MATERIAL:



DIMENSION: mm / inch

Switch 3A/125V DC  
1A/250V AC  
Pot 1Kohm/2A  
wire reostat



**1G01-1**  
WITH ON-OFF SWITCH

NOTE:  
Use 24 AWG, or larger, wire for all connections.

						TOLERANCES EXCEPT AS NOTED		UMA Inc, 260 Main St. Dayton, VA 22821					
						.XX		SCALE		DATE: 2/20/03		SHEET	
						.XXX		SUPPLIER COMPLETE <input type="checkbox"/>		DRAW BY FSD		1 of 1	
						ANGULAR		DESCRIPTION EL DIMMER POTENTIOMETER					
ECO	REV	DESCRIPTION	DR	DATE	APP			APP		PART# 1G01-1		REV IR	