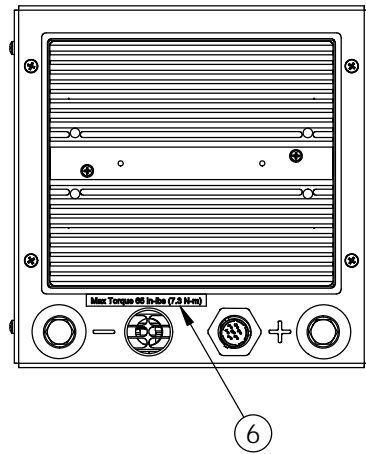


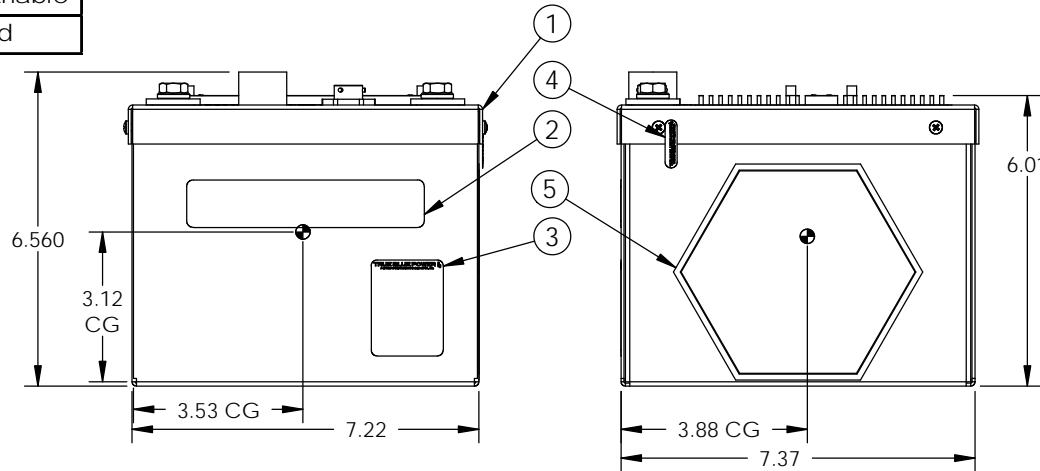
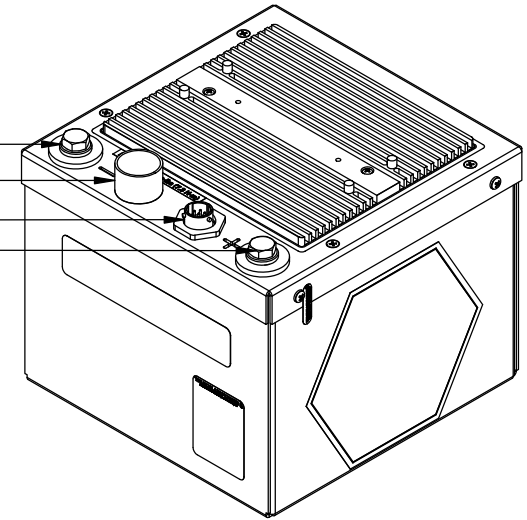
Configuration	
Dash #	Battery
-1	9018036
-2	9018036-1

Revision				
ECO	Rev.	Description	Date	Approved
		See obsolete drawing for revision history.		
6404	D	Add CG dimensions. 9017130-1 was 9017130 (larger size).	06/05/15	Sch/MKN
6487	E	Add 6018964 Torque Decal, nominal output voltage was 25.3VDC.	11/13/15	Sch/VAA
6751	F	Added -2 configuration and pin out for -2.	05/03/17	VAA/WVC

Comm Connector 85107A107P50		
	6430017-1	6430017-2
Pin	Pin Function	Pin Function
A	Fault	Fault
B	Heater	Heater
C	Charging	Charging
D	Pin 1 of RTD 1	Pin 1 of RTD 1
E	Pin 2 of RTD 1	Pin 2 of RTD 1
F	Pin 1 or RTD 2	Heater Enable
G	Pin 2 of RTD 2	Reserved



Negative Terminal
Vent Port
Comm Connector
Positive Terminal



Item	Qty	Part Number	Description
1	1	See config	Battery, Advanced Lithium-Ion, 17 Ah
2	1	9017130-1	Label, True Blue Power
3	1	9017959	Label, Nameplate, TB17
4	1	6018956-1	Decal, Warranty TBP
5	1	9017444	Label, Warning, Aviation
6	1	6018964	Decal, Torque
7	2	SEP-12	Cap, Terminal (Not Shown)
8	1	EC-16	Cap, Vent Port (Not Shown)

Specifications	
Model Number	TB17
Power Input	28.5 VDC Nominal, 34A Max
Power Output	25.5VDC Nominal, 840A Max
Rated Capacity	17Ah @ 23°C
Certification and Qualifications	FAA TSO-C179a RTCA DO-311 RTCA DO-160G (See install manual for categories)
Weight	16.0 lbs
Install Manual	MCIAP/N 9018047

UNLESS OTHERWISE SPECIFIED, ALL DIMENSIONS ARE IN INCHES.
TOLERANCE:
FRACTIONAL= 1/64
.XX= 0.015
.XXX= 0.005
.XXXX= 0.002
ANGULAR= 0.5
WEIGHT N.T.E. +5%
BREAK ALL SHARP EDGES
THREADS PER MIL-S-7742

DRAWN:
BCM
3/21/2013

APPROVED:
JDS
02/13/2014

This document discloses proprietary information of Mid-Continent Instrument Co., Inc. It may be reproduced or disclosed only with written permission of Mid-Continent Instrument Co. and is not to be used in any way detrimental to the interests of Mid-Continent Instrument Co., Inc.

TRUE BLUE POWER
A Division of Mid-Continent Instrument Co., Inc.

TITLE:
Advanced Lithium-Ion Battery

PART NUMBER:
6430017

SCALE: 1:4

DO NOT SCALE THIS DRAWING

SHEET: 1 of 1