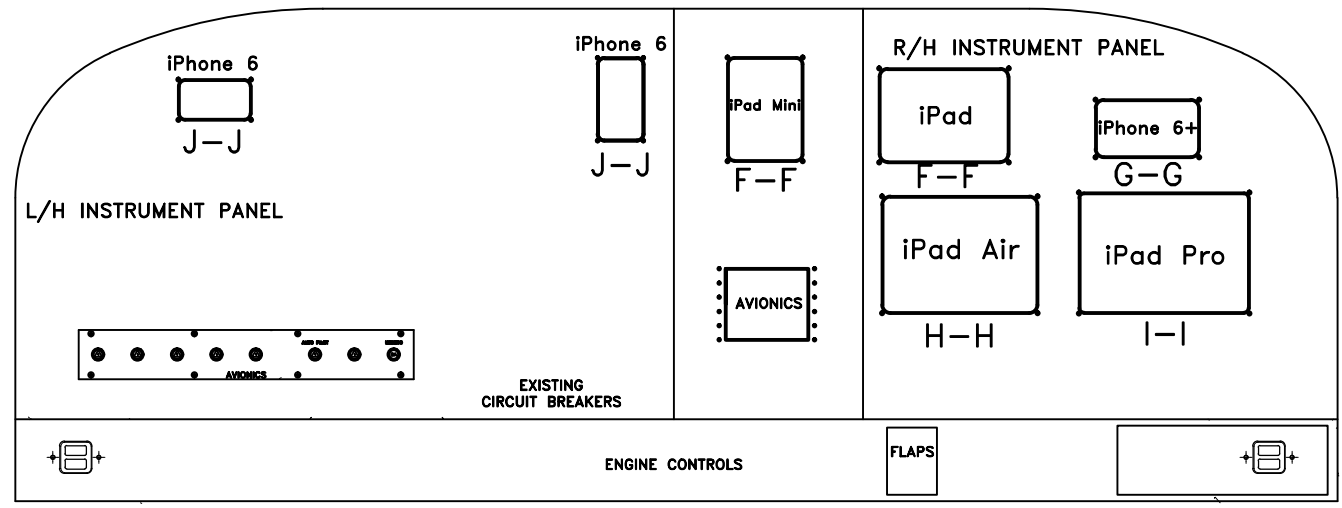


REVISIONS			
REV	DESCRIPTION	DATE	APVD
A	Initial release	06/2/2016	

# NOTES:

- EXISTING EQUIPMENT.
- PERMISSIBLE TO TRIM PARTS CREATED BY THIS DRAWING ON INSTALLATION AS REQUIRED.
- TOUCH UP ALL BARE ALUMINUM SURFACES WITH ALODINE PER MIL-C-5541 CLASS 3.
- PARENTHETICAL ENTITIES, ( ), ARE FOR REFERENCE ONLY.
- LOCATE CIRCUIT BREAKER IN THE SAME GENERAL AREA WITH EXISTING CIRCUIT BREAKERS. LABEL AS SHOWN USING STANDARD ENGRAVING, SILKSCREEN, OR OTHER TECHNIQUES. LETTERING TO BE SAME HEIGHT AS EXISTING C/B LETTERING.
- DENOTES EXISTING WIRES.
- ALL GROUNDS GO TO NEAREST GROUND POINT ON AIRCRAFT.
- TIE INTO EXISTING BUS BAR NEAR LOCATION OF NEW CIRCUIT BREAKER. IF A JUMPER WIRE IS REQUIRED, USE 20 GAUGE MIL-W-22759/XX TYPE.
- BEST COMMERCIAL EQUIVALENT MAY BE SUBSTITUTED FOR THIS PART.
- THE INSTALLATION OF WIRING TO BE PERFORMED IN ACCORDANCE WITH AC 43.13-1B, 2A, ACCEPTABLE METHODS, TECHNIQUES, AND PRACTICES - AIRCRAFT ALTERATIONS, CHAPTER 11. ALL WIRE TO BE MIL-W-22759/16 OR EQUIVALENT.



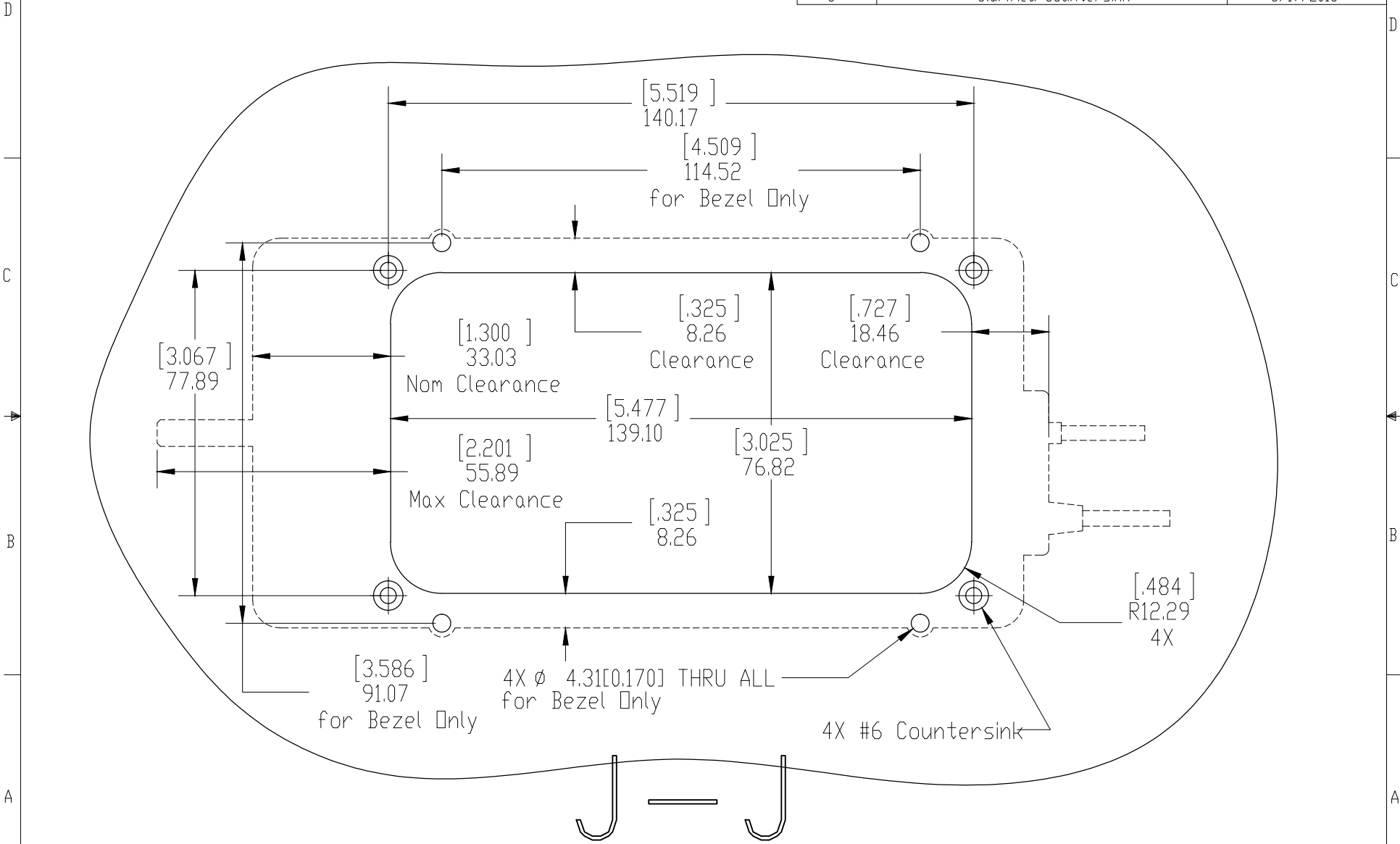
**INSTRUMENT PANEL**  
VIEW LOOKING FWD

FILENAME: 01-2510-01D01

ITEM		QTY	PART NUMBER	DESCRIPTION	VENDOR
1	1		USB-200-101	USB Port	GUARDIAN AVIONICS
PROPRIETARY NOTICE		RIVET CODES PER NAS235 BB = MS20428AD BJ = MS20470AD		UNLESS OTHERWISE NOTED ALL DIM ARE IN INCHES TOLERANCES XXX ±.010 ANGLES XXX ±.03 1/2° X ±.1	
DESIGN		APPROVALS		UNLESS OTHERWISE NOTED	
DRAWN		Ahmed Hasson		DATE	
CHECK				06/2/2016	
INSP.				FINISH	
PROJ.				NONE	
DASH		NEXT ASSY		SCALE	
		REL.		NONE	
		ASH VIJ		06/2/2016	
TITLE				DRAWING NO.	
Docks INSTALLATION				USB-200	
SH 1				REV	
OF 11				A	



REV.	DESCRIPTION	DATE
A	Release	11/13/2015
B	Added Bezel Option	1/12/2016
C	Added Clearances	3/1/2016
C-	Clarified Countersink	5/17/2016



©COPYRIGHT GUARDIAN AVIONICS  
 THE INFORMATION IN THIS DRAWING IS CONFIDENTIAL  
 AND IS THE INTELLECTUAL PROPERTY OF GUARDIAN  
 AVIONICS. REPRODUCTION IN WHOLE OR IN PART  
 WITHOUT WRITTEN PERMISSION OF GUARDIAN  
 AVIONICS IS PROHIBITED.

DO NOT SCALE DRAWING  
 TOLERANCES UNLESS  
 OTHERWISE SPECIFIED:

METRIC	IMPERIAL	ANGLES
X ± 1.00mm	.X ± .05"	±1°
.X ± .3mm	.XX ± .01"	
.XX ± .1mm	.XXX ± .005"	

PROJECT: Dock-iPhone6

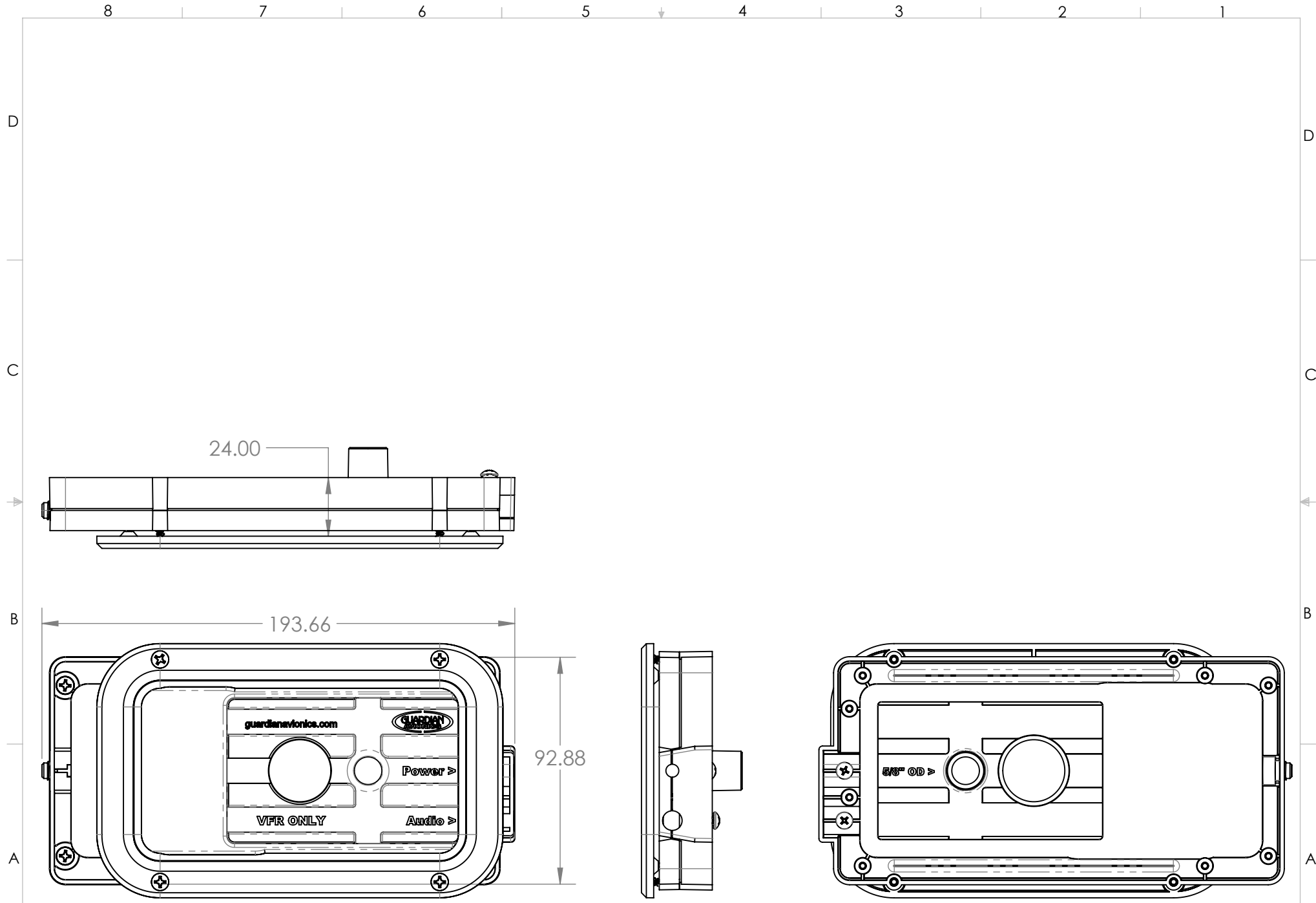
SCALE: 1:1.25  
 DWG # [Use Name]

DRAWING NAME: (iPhone6) Panel Cut Reference

REVISION C-

PRINT DATE: 5/17/2016

SHEET: 2 OF 11



© COPYRIGHT GUARDIAN AVIONICS  
 THE INFORMATION IN THIS DRAWING IS CONFIDENTIAL  
 AND IS THE INTELLECTUAL PROPERTY OF GUARDIAN  
 AVIONICS. REPRODUCTION IN WHOLE OR IN PART  
 WITHOUT WRITTEN PERMISSION OF GUARDIAN  
 AVIONICS IS PROHIBITED.

DO NOT SCALE DRAWING  
 TOLERANCES UNLESS  
 OTHERWISE SPECIFIED:  
 METRIC IMPERIAL ANGLES  
 X ±1.00mm X ±.05"  
 .X ±.3mm .XX ±.01" ±1°  
 .XX ±.1mm .XXX ±.005"

PROJECT:  
 Dock-iPhone6

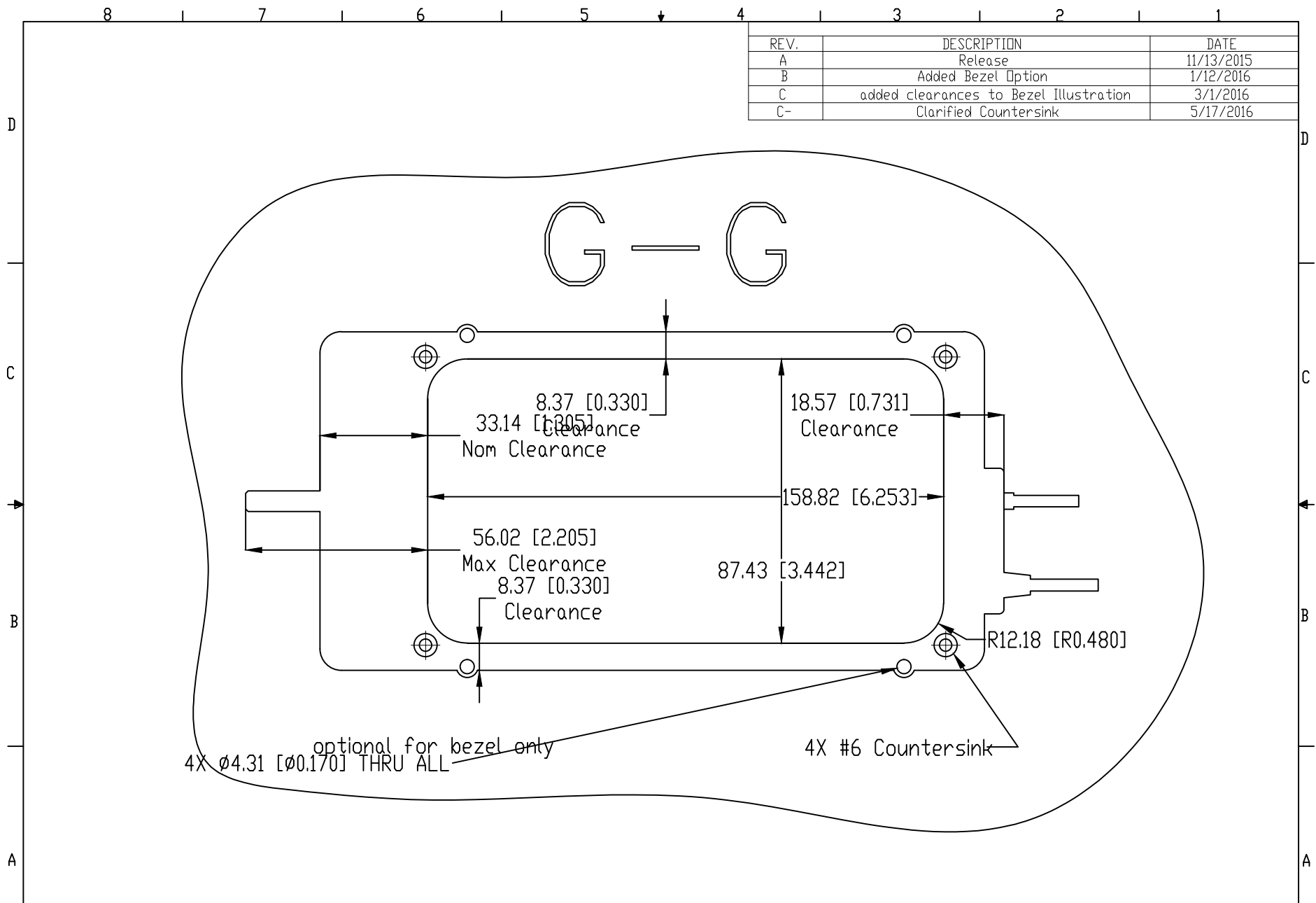
SCALE: 1:2  
 DWG # IP6-100

DRAWING NAME:  
 (iPhone6) IPHONE 6 DASH CHASSIS

REVISION  
 C--

PRINT DATE  
 9/16/2016

SHEET:  
 3 OF 11



REV.	DESCRIPTION	DATE
A	Release	11/13/2015
B	Added Bezel Option	1/12/2016
C	added clearances to Bezel Illustration	3/1/2016
C-	Clarified Countersink	5/17/2016



©COPYRIGHT GUARDIAN AVIONICS  
 THE INFORMATION IN THIS DRAWING IS CONFIDENTIAL  
 AND IS THE INTELLECTUAL PROPERTY OF GUARDIAN  
 AVIONICS. REPRODUCTION IN WHOLE OR IN PART  
 WITHOUT WRITTEN PERMISSION OF GUARDIAN  
 AVIONICS IS PROHIBITED.

DO NOT SCALE DRAWING		
TOLERANCES UNLESS OTHERWISE SPECIFIED:		
METRIC	IMPERIAL	ANGLES
X ± 1.00mm	.X ± .05"	± 1°
.X ± .3mm	.XX ± .01"	
.XX ± .1mm	.XXX ± .005"	

PROJECT: iPhone6Plus Dock	DWG # [Use Name]
SCALE: 1:1.5	

DRAWING NAME: (iPhone6Plus) Panel Cut Reference	REVISION C-	PRINT DATE 5/17/2016	SHEET: 4 OF 11
--	----------------	-------------------------	-------------------

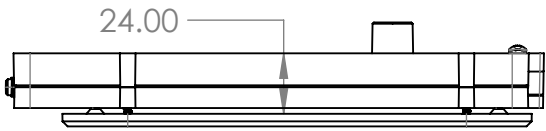
8 7 6 5 4 3 2 1

D

D

C

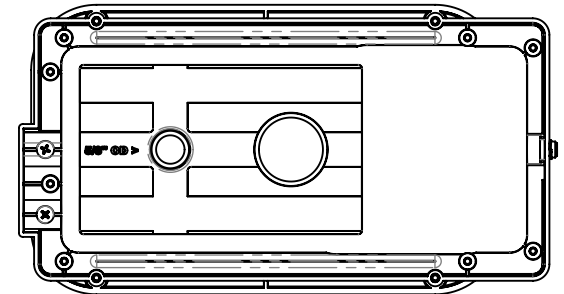
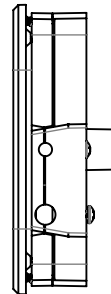
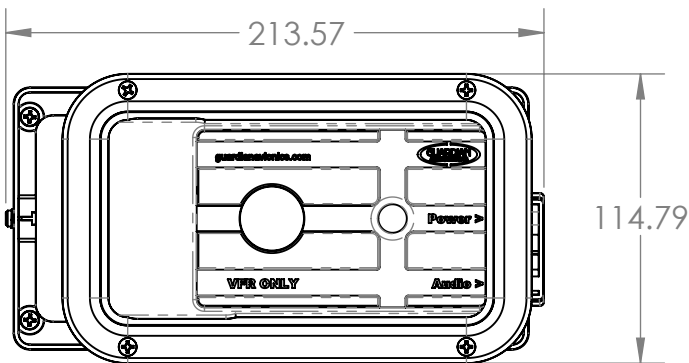
C



4 Assembly Screws (those NOT installed in C-Sunk holes) should be bagged in Poly Bag for installer

B

B



A

A



© COPYRIGHT GUARDIAN AVIONICS  
 THE INFORMATION IN THIS DRAWING IS CONFIDENTIAL  
 AND IS THE INTELLECTUAL PROPERTY OF GUARDIAN  
 AVIONICS. REPRODUCTION IN WHOLE OR IN PART  
 WITHOUT WRITTEN PERMISSION OF GUARDIAN  
 AVIONICS IS PROHIBITED.

DO NOT SCALE DRAWING  
 TOLERANCES UNLESS  
 OTHERWISE SPECIFIED:  
 METRIC IMPERIAL ANGLES  
 X ±1.00mm .X ±.05"  
 .X ±.3mm .XX ±.01"  
 .XX ±.1mm .XXX ±.005" ±1°

PROJECT:  
 iPhone6Plus Dock

SCALE: 1:3  
 DWG # IP6+100

DRAWING NAME:  
 (iPhone6Plus) DASH CHASSIS

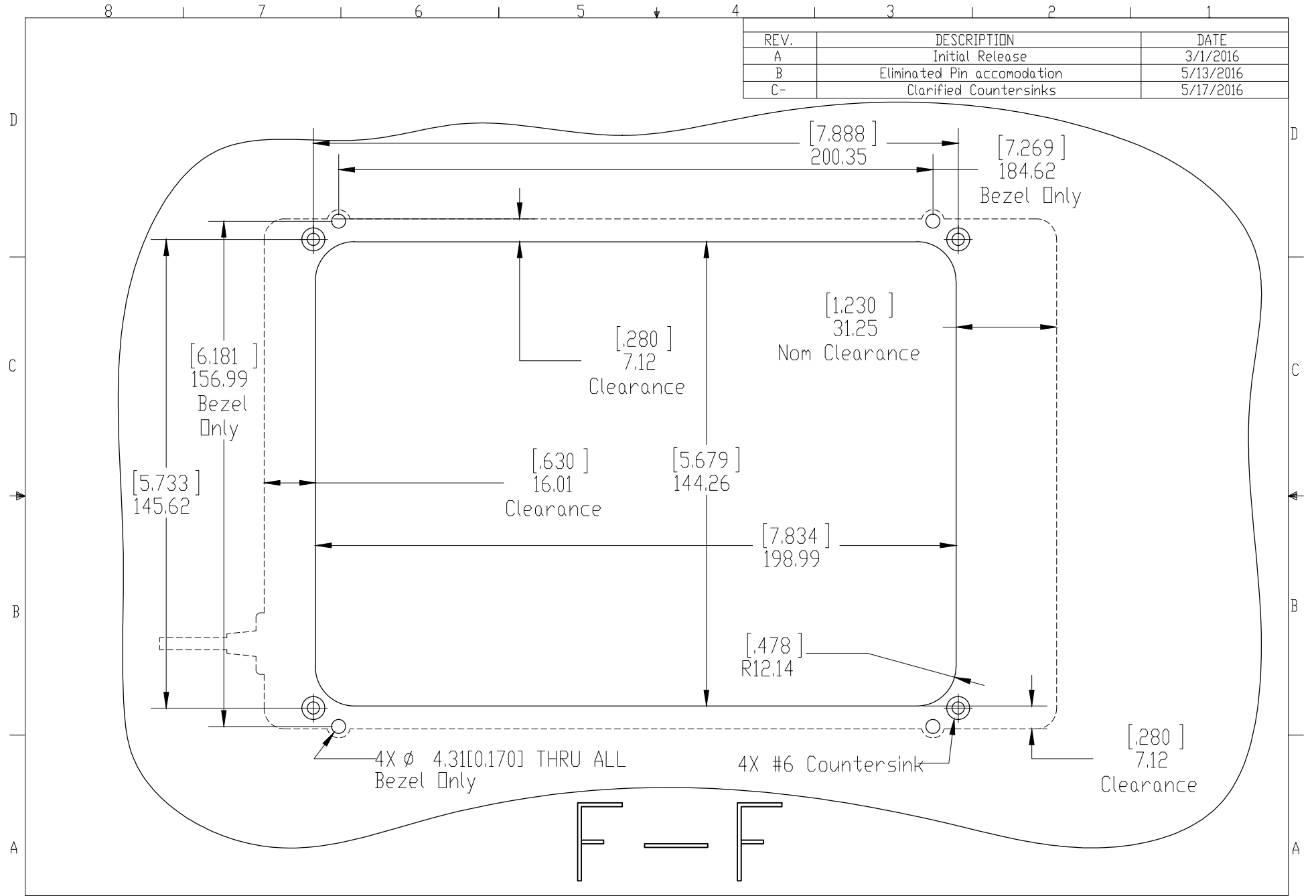
REVISION  
 B--

PRINT DATE  
 9/16/2016

SHEET:  
 5 of 11

8 7 6 5 4 3 2 1

REV.	DESCRIPTION	DATE
A	Initial Release	3/1/2016
B	Eliminated Pin accomodation	5/13/2016
C-	Clarified Countersinks	5/17/2016

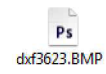


©COPYRIGHT GUARDIAN AVIONICS  
 THE INFORMATION IN THIS DRAWING IS CONFIDENTIAL  
 AND IS THE INTELLECTUAL PROPERTY OF GUARDIAN  
 AVIONICS. REPRODUCTION IN WHOLE OR IN PART  
 WITHOUT WRITTEN PERMISSION OF GUARDIAN  
 AVIONICS IS PROHIBITED.

DO NOT SCALE DRAWING TOLERANCES UNLESS OTHERWISE SPECIFIED		
METRIC	IMPERIAL	ANGLES
X ± .10mm	.X ± .05°	±1°
.X ± .3mm	.XX ± .01°	
.XX ± .1mm	.XXX ± .005°	

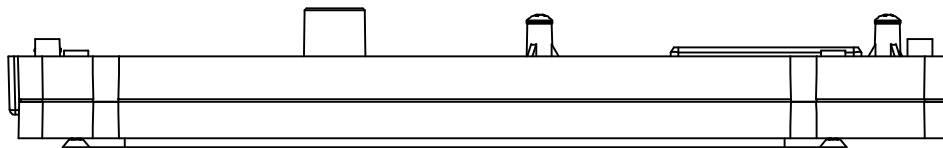
PROJECT: iPad Mini 3-Dock	DRAWING NAME: (Mini) Panel Reference
SCALE: 1:1.5	DWG # Use Name

REVISION C-	PRINT DATE 5/17/2016	SHEET: 6 of 11
----------------	-------------------------	-------------------



8 7 6 5 4 3 2 1

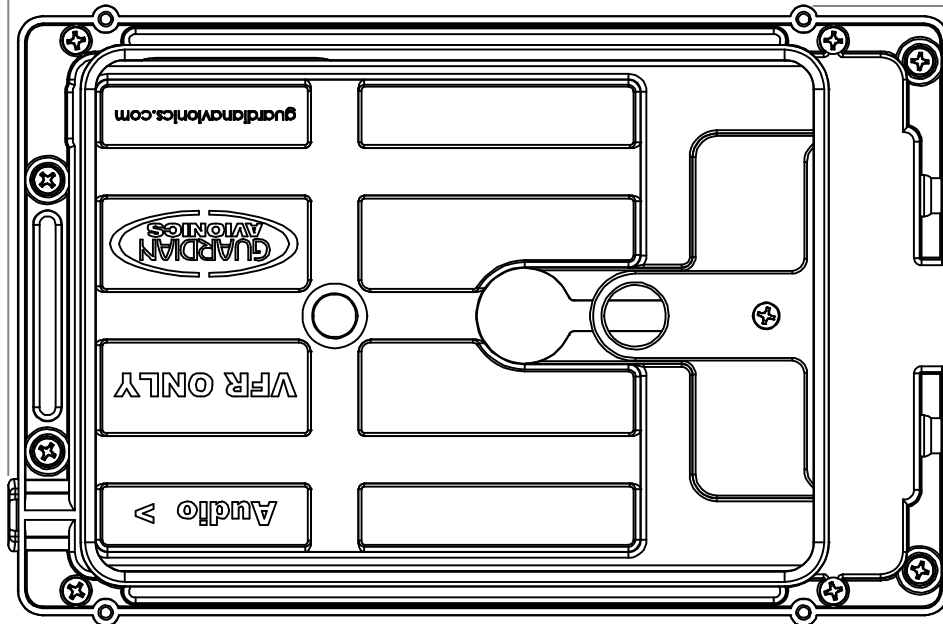
D



D

[248.74]  
9.79

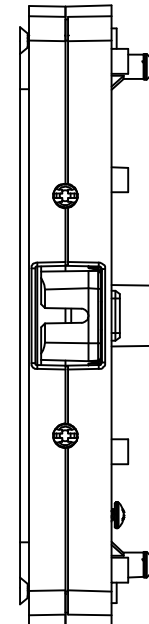
C



C

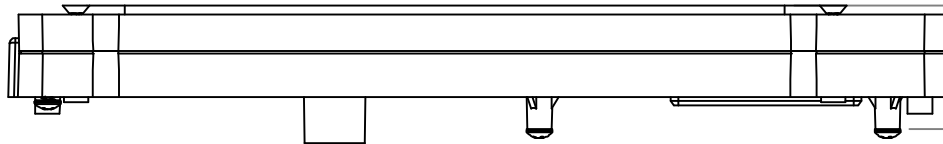
[164.08]  
6.46

B



B

A



A

[32.59]  
1.28



© COPYRIGHT GUARDIAN AVIONICS  
THE INFORMATION IN THIS DRAWING IS CONFIDENTIAL  
AND IS THE INTELLECTUAL PROPERTY OF GUARDIAN  
AVIONICS. REPRODUCTION IN WHOLE OR IN PART  
WITHOUT WRITTEN PERMISSION OF GUARDIAN  
AVIONICS IS PROHIBITED.

**DO NOT SCALE DRAWING**  
TOLERANCES UNLESS  
OTHERWISE SPECIFIED:  
METRIC IMPERIAL ANGLES  
X±1.00mm .X ±.05"  
X±.3mm .XX ±.01"  
.XX±.1mm .XXX±.005" ±1°

PROJECT:  
iPad Mini 3-Dock

SCALE: 1:2  
DWG # IPM-100

DRAWING NAME:  
(Mini) DOCK ASSY

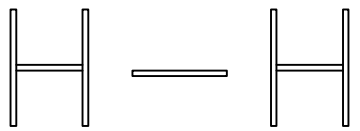
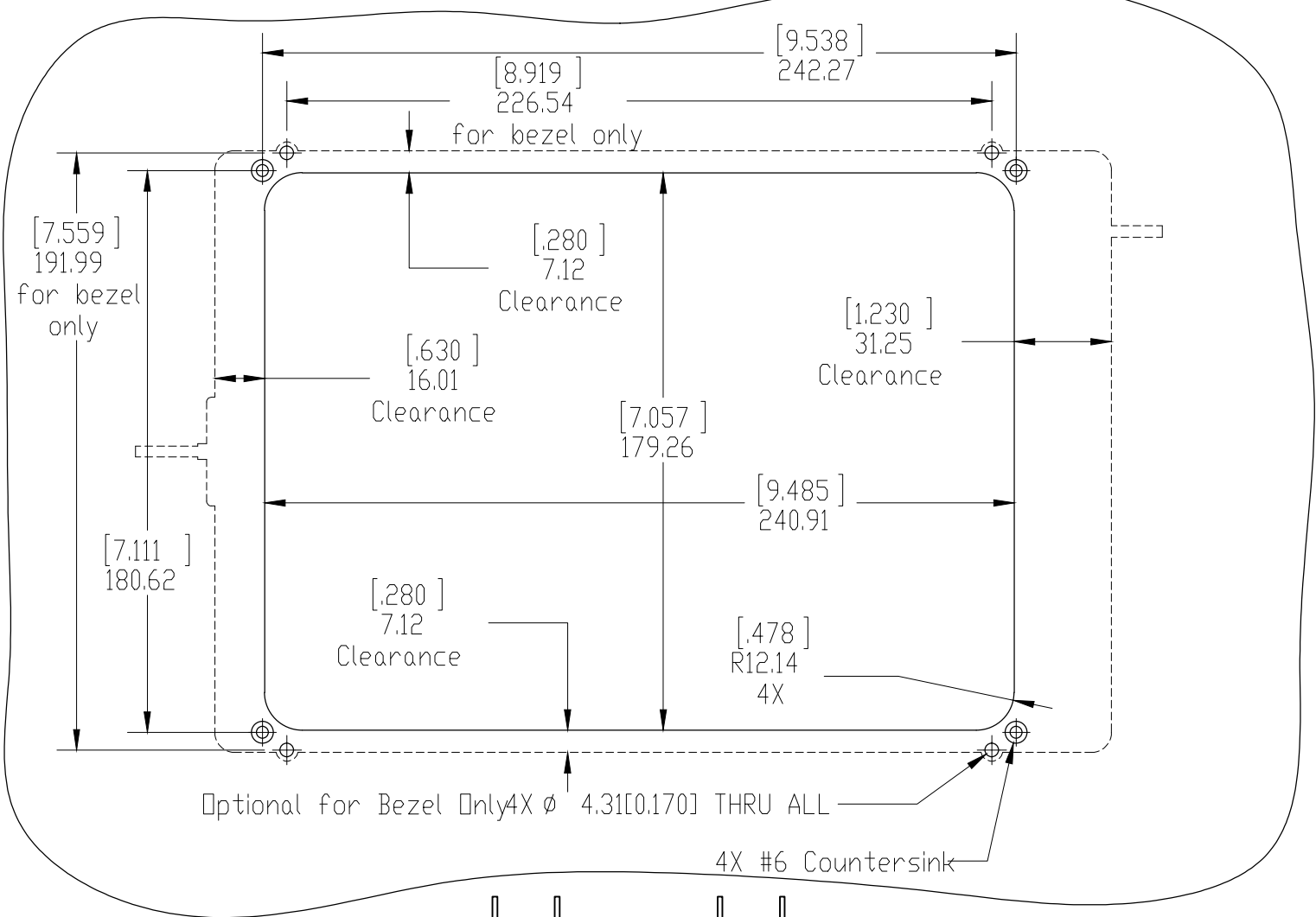
REVISION  
J

PRINT DATE  
9/16/2016

SHEET:  
7 of 11

8 7 6 5 4 3 2 1

REV.	DESCRIPTION	DATE
A	Initial Release	3/1/2016
B	Clarified countersink	5/17/2016



©COPYRIGHT GUARDIAN AVIONICS  
 THE INFORMATION IN THIS DRAWING IS CONFIDENTIAL  
 AND IS THE INTELLECTUAL PROPERTY OF GUARDIAN  
 AVIONICS. REPRODUCTION IN WHOLE OR IN PART  
 WITHOUT WRITTEN PERMISSION OF GUARDIAN  
 AVIONICS IS PROHIBITED.

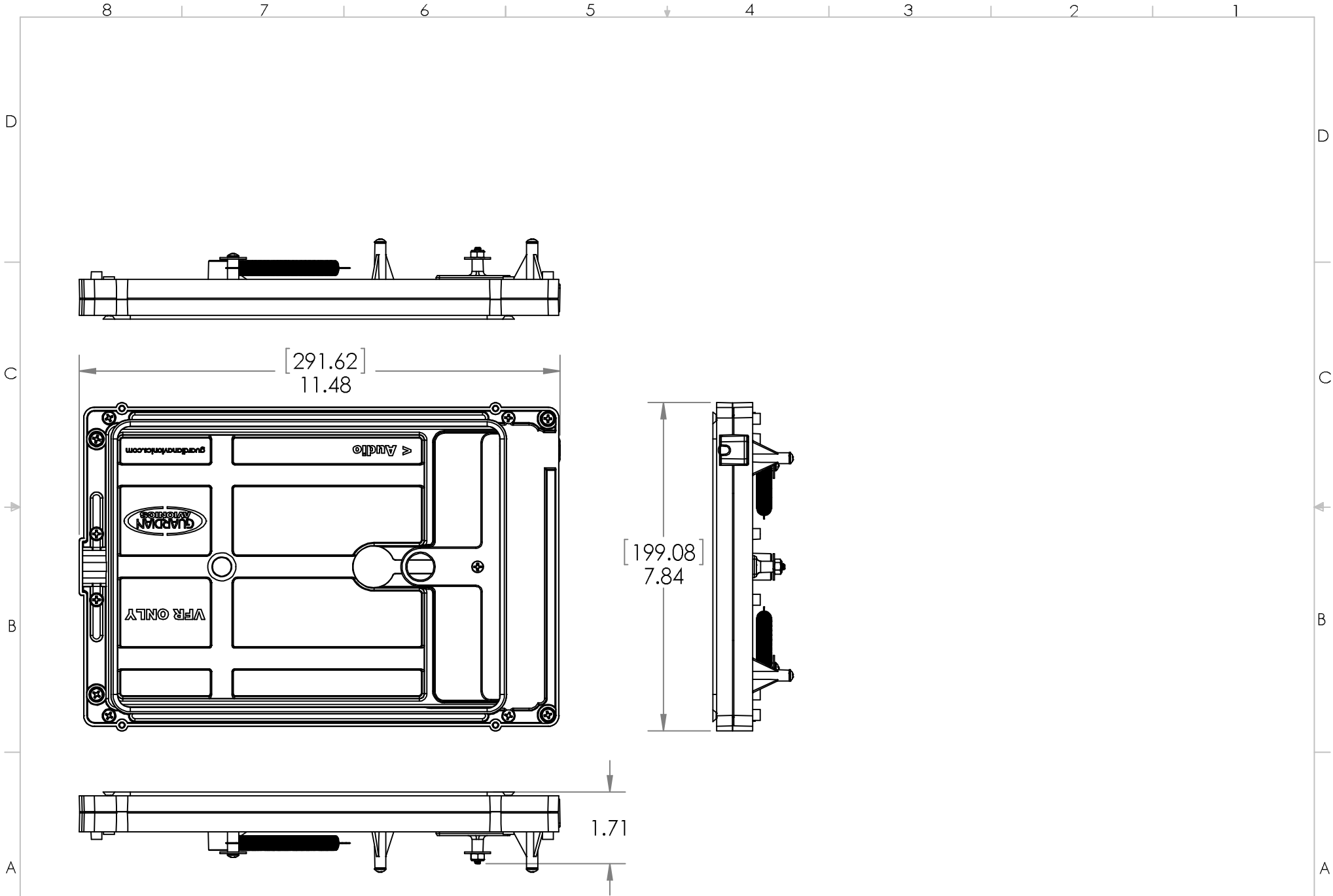
DO NOT SCALE DRAWING  
 TOLERANCES UNLESS  
 OTHERWISE SPECIFIED:

METRIC	IMPERIAL	ANGLES
X ± 1.00mm	X ± .05"	± 1°
X ± .3mm	.XX ± .01"	
.XX ± .1mm	.XXX ± .005"	

PROJECT: iPad Air2 Dock  
 SCALE: 1:2  
 DWG #: Use Name

DRAWING NAME: (Air2) Panel Reference  
 REVISION: B  
 PRINT DATE: 5/17/2016  
 SHEET: 8 of 11





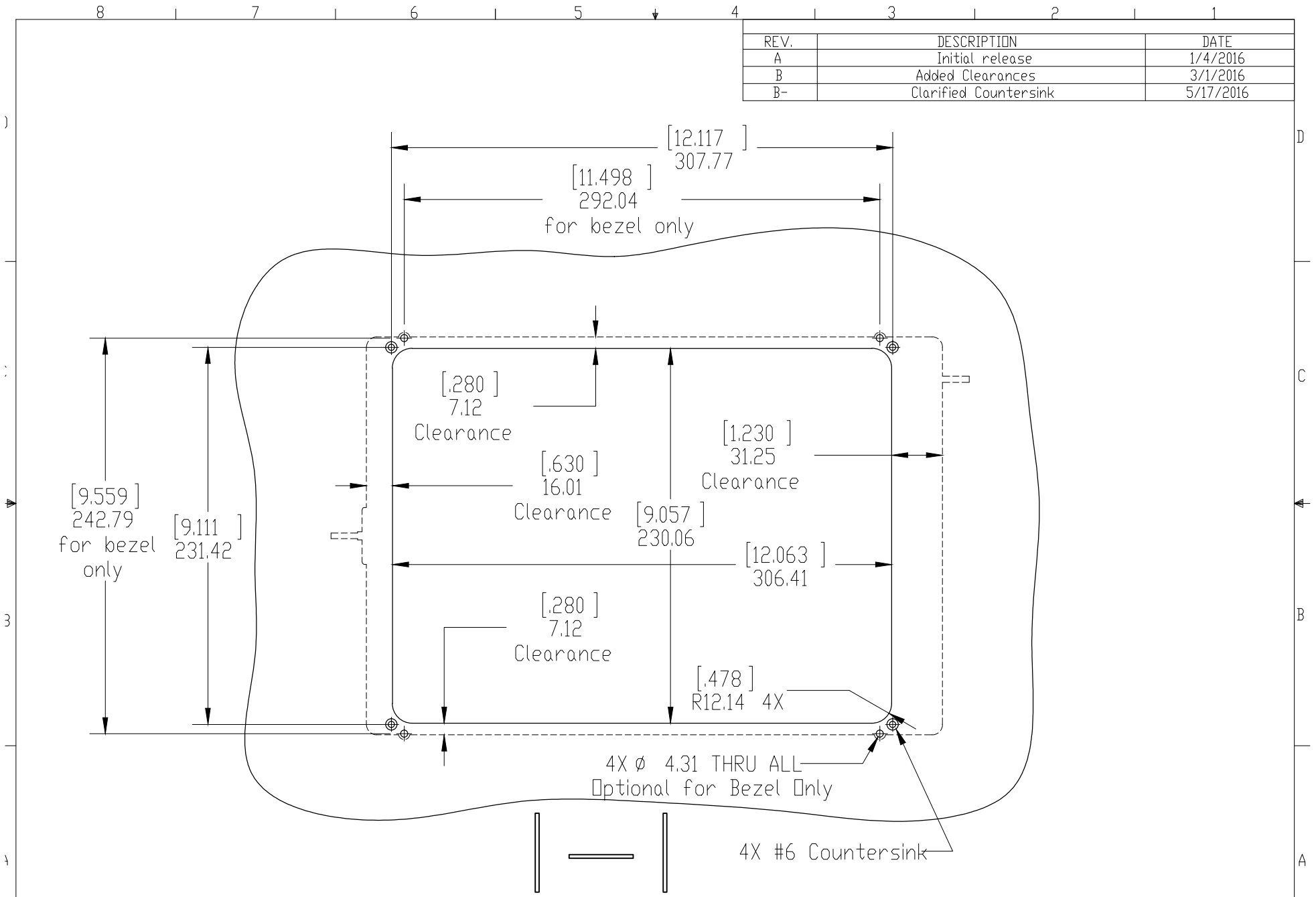
© COPYRIGHT GUARDIAN AVIONICS  
 THE INFORMATION IN THIS DRAWING IS CONFIDENTIAL  
 AND IS THE INTELLECTUAL PROPERTY OF GUARDIAN  
 AVIONICS. REPRODUCTION IN WHOLE OR IN PART  
 WITHOUT WRITTEN PERMISSION OF GUARDIAN  
 AVIONICS IS PROHIBITED.

**DO NOT SCALE DRAWING**  
 TOLERANCES UNLESS  
 OTHERWISE SPECIFIED:  
 METRIC IMPERIAL ANGLES  
 X ± 1.00mm .X ± .05"  
 X ± .3mm .XX ± .01"  
 .XX ± .1mm .XXX ± .005" ± 1°

PROJECT:  
**iPad Air-2 Dock**  
 SCALE: **1:3**  
 DWG # **IPA2-100**

DRAWING NAME:  
**(Air2) DOCK ASSY**  
 REVISION **E-**  
 PRINT DATE **9/16/2016**  
 SHEET: **9 of 11**

REV.	DESCRIPTION	DATE
A	Initial release	1/4/2016
B	Added Clearances	3/1/2016
B-	Clarified Countersink	5/17/2016



©COPYRIGHT GUARDIAN AVIONICS  
 THE INFORMATION IN THIS DRAWING IS CONFIDENTIAL  
 AND IS THE INTELLECTUAL PROPERTY OF GUARDIAN  
 AVIONICS. REPRODUCTION IN WHOLE OR IN PART  
 WITHOUT WRITTEN PERMISSION OF GUARDIAN  
 AVIONICS IS PROHIBITED.

DO NOT SCALE DRAWING		
TOLERANCES UNLESS OTHERWISE SPECIFIED:		
METRIC	IMPERIAL	ANGLES
X ± .100mm	.X ± .05"	±1°
.X ± .3mm	.XX ± .01"	
.XX ± .1mm	.XXX ± .005"	

PROJECT:  
iPad Pro Dock

SCALE: 1:3

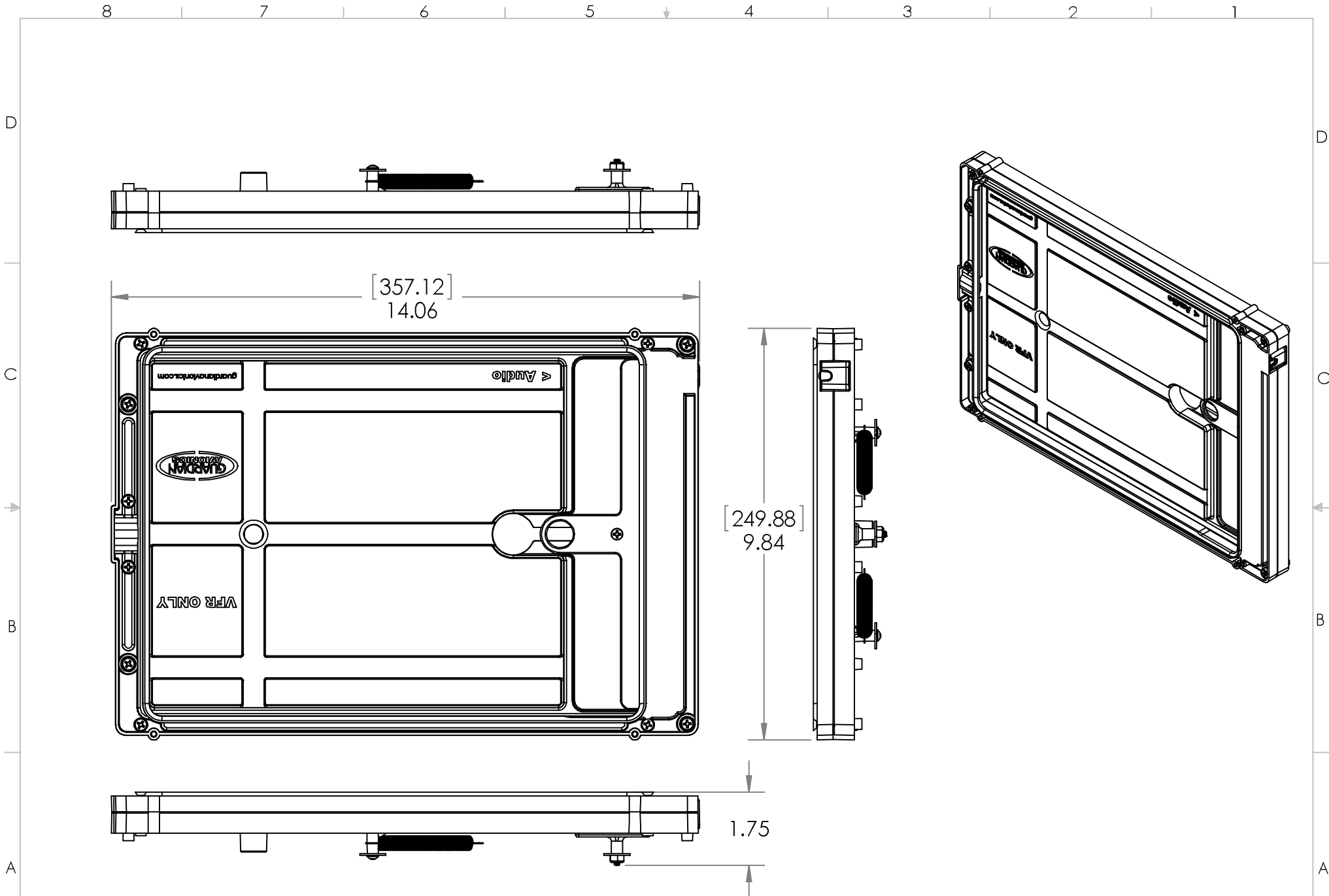
DWG #  
Use Name

DRAWING NAME:  
(iPadPro) Panel Reference

REVISION  
B-

PRINT DATE  
5/17/2016

SHEET:  
10 of 11



© COPYRIGHT GUARDIAN AVIONICS  
 THE INFORMATION IN THIS DRAWING IS CONFIDENTIAL  
 AND IS THE INTELLECTUAL PROPERTY OF GUARDIAN  
 AVIONICS. REPRODUCTION IN WHOLE OR IN PART  
 WITHOUT WRITTEN PERMISSION OF GUARDIAN  
 AVIONICS IS PROHIBITED.

**DO NOT SCALE DRAWING**  
 TOLERANCES UNLESS  
 OTHERWISE SPECIFIED:  
 METRIC IMPERIAL ANGLES  
 X±1.00mm .X ±.05"  
 X±.3mm .XX ±.01"  
 .XX±.1mm .XXX±.005" ±1°

PROJECT:  
 iPad Pro Dock

SCALE: 1:3  
 DWG # IPP-100

DRAWING NAME:  
 (iPadPro) DOCK ASSY

REVISION C	PRINT DATE 9/16/2016	SHEET: 11 of 11
---------------	-------------------------	--------------------