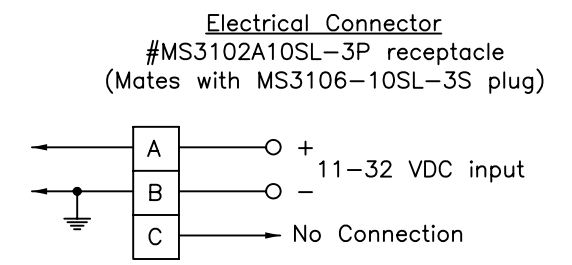
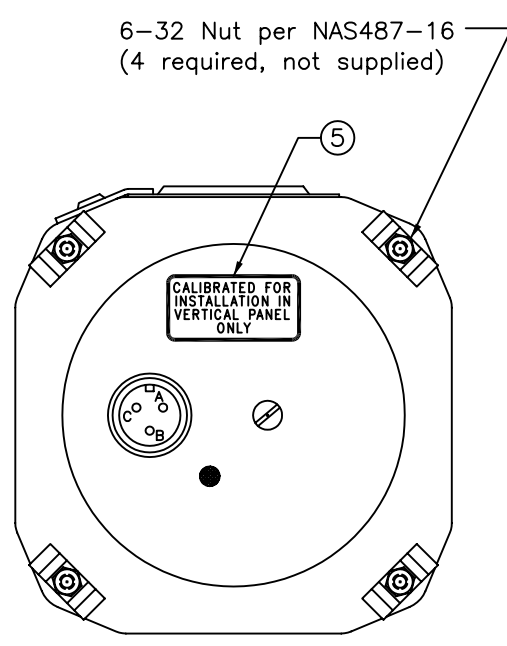
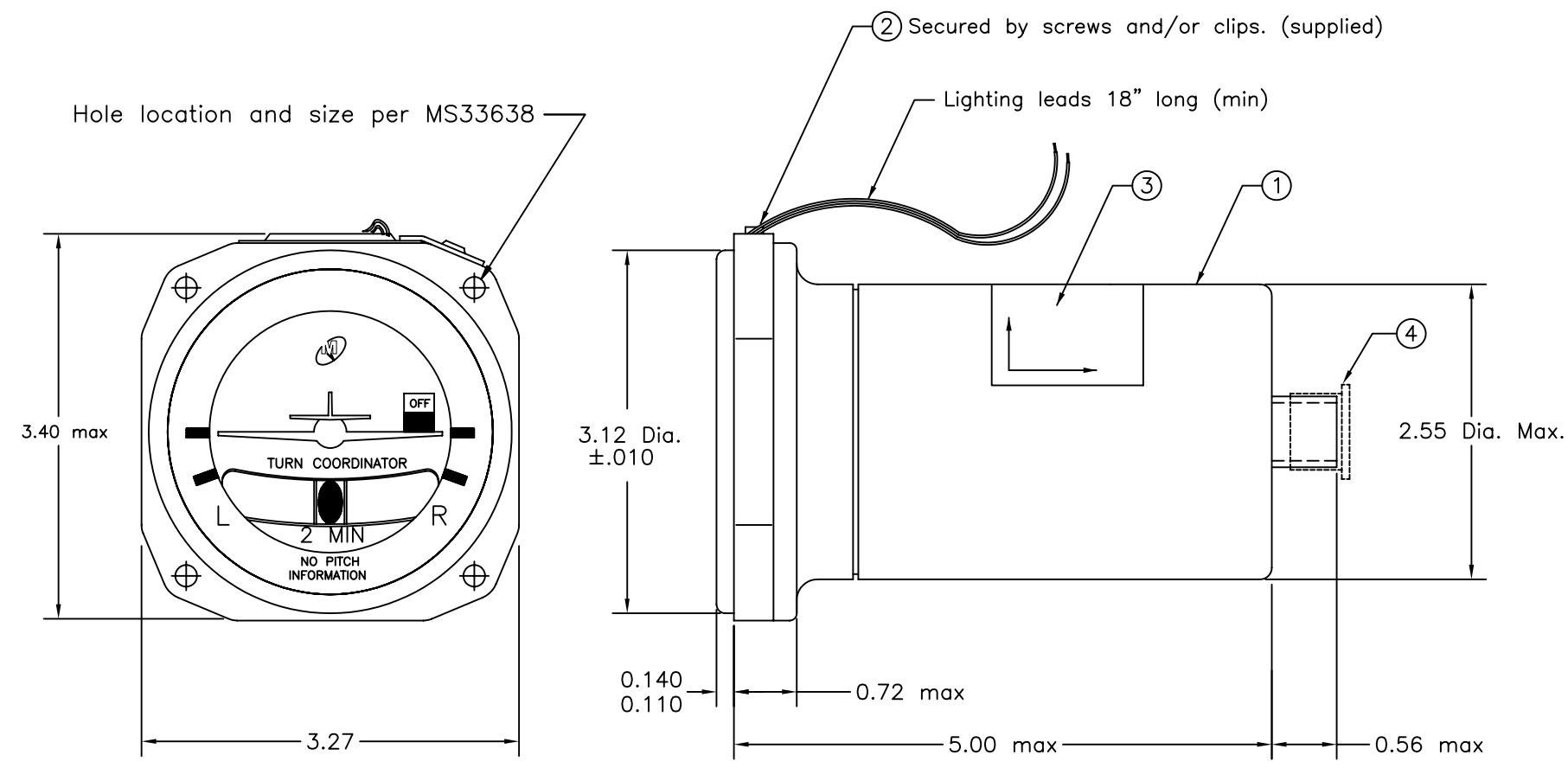


Configuration	
Part Number	Lighting
1394T100-3B	Customer Specified (see Note 4)

Revisions				
ECO	Rev.	Description	Date	Approved
	A	Initial release. See 1394T100-A for unit history.	10/4/05	BAW/ScH
4643	B	Turn Coordinator Assembly p/n was 1394560-3B.	6/19/06	BAW/ScH
5037	C	Add "M" logo and delete "D.C. ELEC." Delete part of Note 2 referencing D.C. Elec.	6/3/08	MKN/ScH



Specifications

MTBF:	4500 Hours
Power:	Rated 13.75 or 27.5 VDC Operating Limits 11-32 VDC
Current:	0.55A max running 0.80A max starting
Weight:	1.4 lbs.

- Note:
- Conforms per FAA-TSO C3b.
 - Case and bezel are black. Faceplate markings are white (#37875) on black background (#37038) per FED-STD-595b; Faceplate text shall be per MS33558 font.
 - Cover glass is anti-reflective coated (HEA).
 - External Light Tray options for -3B configuration:

Part Number	Voltage	Color
6018634-3	5V	white
6015010-3	14V	white
6015358-3	28V	white
 - Instrument must be mounted in a panel within 5° of vertical, perpendicular within 5° to the longitudinal flight axis and parallel within 5° of the lateral flight axis.
 - Attach nameplate as shown unless otherwise specified.
 - Inclinometer is 0.300 dia. dark grey (FED-STD-595B Color #26081 or darker) ball in a liquid filled tube with white background.
 - Functional test per TDS314.
 - Split red/black flag shows all black while unit is operating normally.

Item	Qty	Part Number	Description
1	1	9016353-1	Turn Coordinator Assembly
2	1	7016637	External Light Tray (see notes)
3	1	1394256-8	Nameplate
4	1	8012486-10	Connector, Cover
5	1	1394515	Decal, Vertical Panel

UNLESS OTHERWISE SPECIFIED, ALL DIMENSIONS ARE IN INCHES. TOLERANCE: FRACTIONAL=±1/64 .XX=±0.015 .XXX=±0.005 .XXXX=±0.002 ANGULAR=±0.5° CONCENTRICITY: 0.005 TIR BREAK ALL SHARP EDGES THREADS PER MIL-S-7742	DRAWN: BAW 10/4/05	This document discloses proprietary information of Mid-Continent Instrument Co. It may be reproduced or disclosed only with written permission of Mid-Continent Instrument Co. and is not to be used in any way detrimental to the interests of Mid-Continent Instrument Co.	
	APPROVED: ScH 11/16/05		
SCALE: None		DO NOT SCALE THIS DRAWING	
		SHEET 1 of 1	