



## MD93 Series Digital Clock/USB Charger

Manufactured by Mid-Continent Instruments and Avionics

THE MD93 SERIES IS A HIGHLY-ACCURATE DIGITAL CLOCK WITH THE ADDED VALUE OF A DUAL USB CHARGING PORT.

### Save panel space with this unique 2-in-1 solution.

Accurate time-keeping is essential for any pilot and in-flight USB charging power is a necessity. The MD93 Series Digital Clock/USB Charger features intuitive operation with four modes: Local Time, Universal Time, Flight Timer and Stopwatch. The Dual USB Charging Port supplies the electric current needed to charge any standard or high-power device with a USB interface, while protecting itself and the charging device from short circuit, power surges and over-current potential.



- Compact 2-inch size fits standard panel cutout
- Six-digit, seven-segment LED clock and USB charger
- Four modes: Local Time, Universal Time, Flight Timer and Stopwatch
- Clock settings include 12- or 24-hour mode and seconds On or Off
- Multiple lighting schemes allows manual or automatic dimming
- 8-year internal battery maintains time and flight timer memory when not powered by the aircraft
- USB interface provides 2.1 amps per charging port
- Compatible with Apple and other USB devices
- Protects itself and the charging device from short circuit, power surges and over-current potential
- Designed and built in Wichita, Kansas, USA
- One-year limited warranty

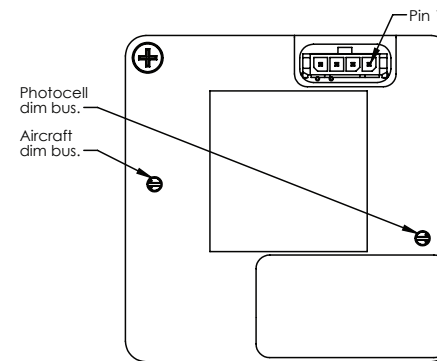
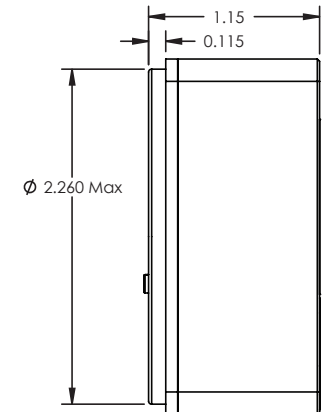
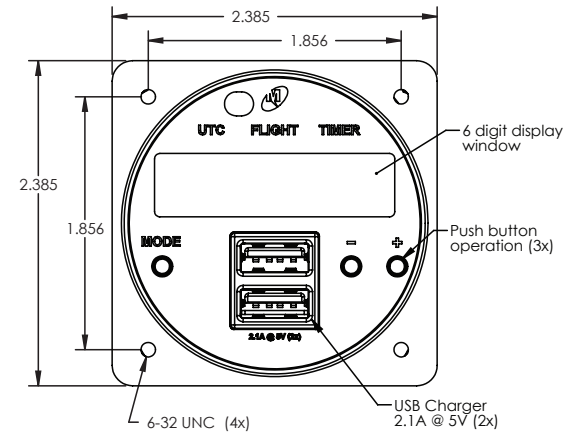
# MD93 Series

## Digital Clock/USB Charger

Manufactured by Mid-Continent Instruments and Avionics

### SPECIFICATIONS

Power Input	10–32 VDC, 27 watts max 2.1A @ 14 VDC; 1A @ 28 VDC (clock only)
Power Output	5.0 ± 0.25 VDC; 2.1A per USB Port
Clock Accuracy	±0.5 seconds in 24 hours
Weight	0.3 lbs
Temperature	-40°C to 70°C (-40°F to 158°F)
Altitude	55,000 feet
Mounting	Rear-panel mounted, (4) #6 screws
Dimensions	2.39 x 2.39 x 1.15 inches max
Connector Kit	MCIA P/N 9018178
USB Interface	USB Standard-A
Case	Anodized aluminum black



### RELATED PRODUCTS

TA102 Dual USB Charging Port		
Part Number	Power Input	Lighting
6430102-1	Rear	Non-lighted
6430102-2	Bottom	Non-lighted
6430102-3	Rear	Lighted
6430102-4	Bottom	Lighted