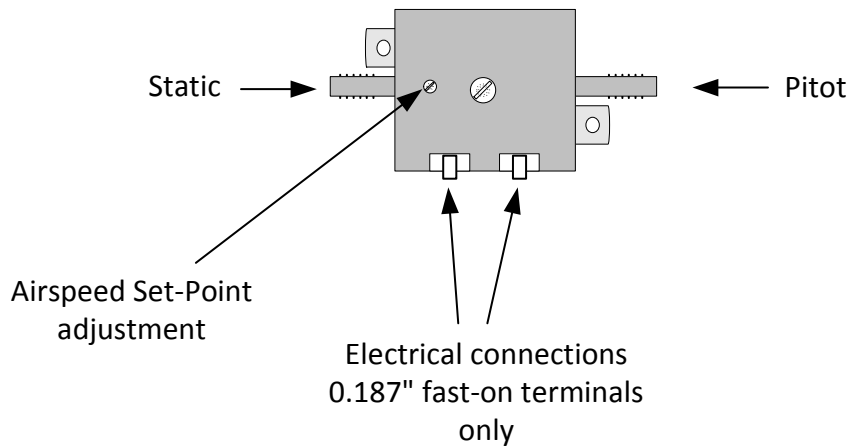


Airspeed Switch Details

Models:

ASW-1, ASW-2



NOTE: Airspeed set-point is adjusted by turning small screw:

**To increase airspeed set-point: turn counter-clockwise,
To decrease airspeed set-point: turn clockwise,**

½ turn = approx 25 knots

Maximum switch voltage = 30 volts DC

Maximum switch current = 20 milliamps