



mounting bracket



release tab



Width: 6.25 in
Height: 8.00 in
Depth: 2.30 in

Weight: 7.8 ounces
(less mounting hardware)

Fits in a standard Avionics Stack

Patents pending

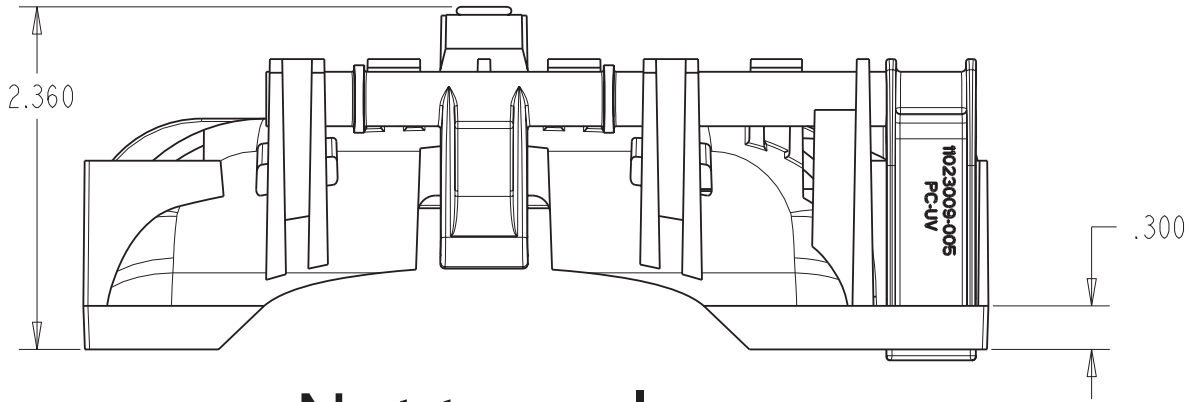
To place an order or inquire for more information, visit our website or contact us at:

www.airgizmos.com

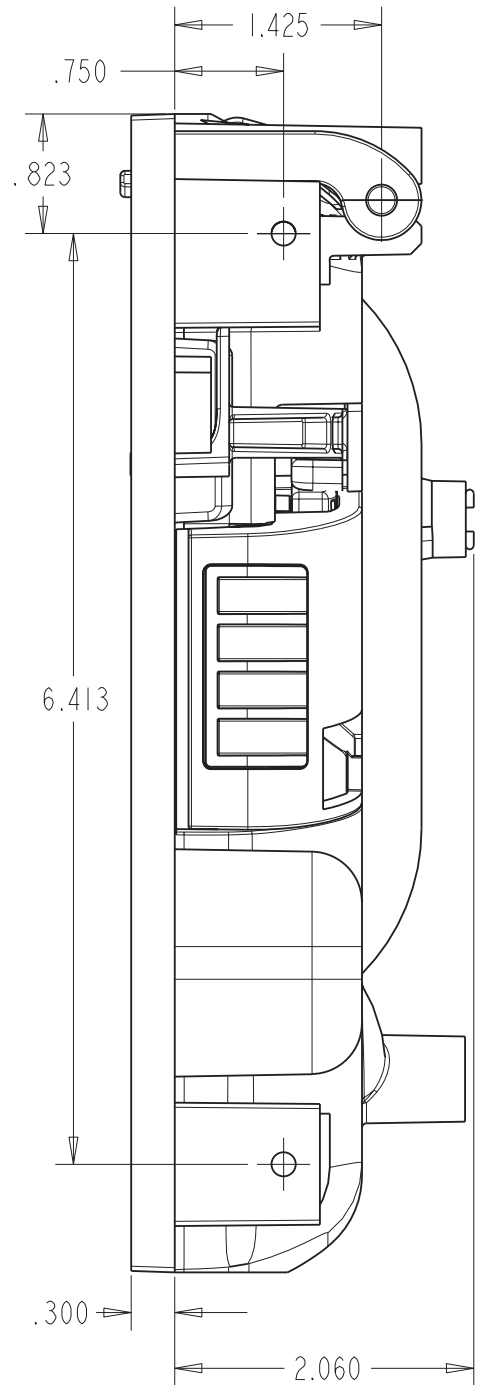
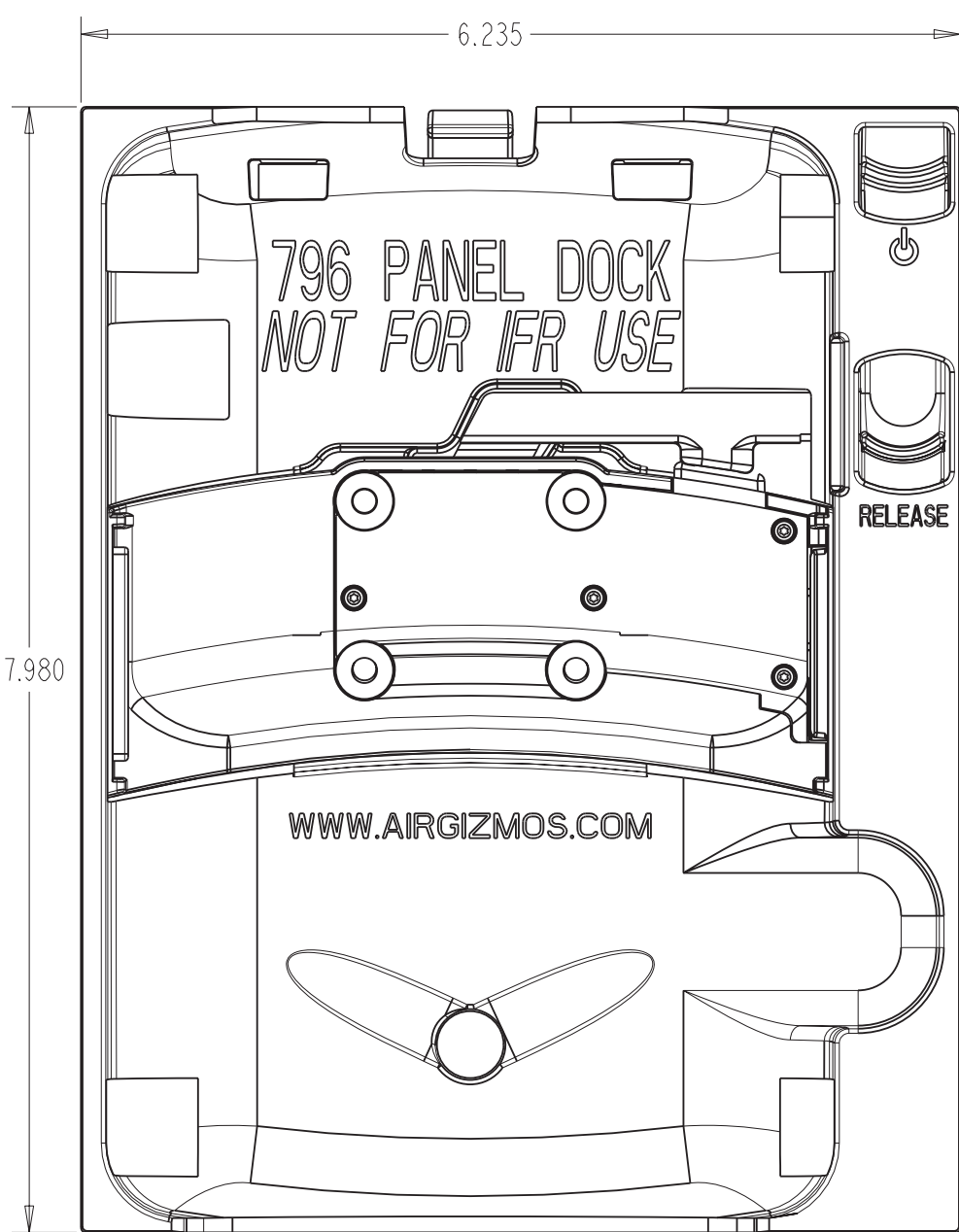
(972) 671 - 8001 tel
(972) 231 - 3870 fax

2280 Campbell Creek Blvd, #300
Richardson, TX 75082

info@airgizmos.com
sales@airgizmos.com



Not to scale



Cut out opening is 6.25" x 8.0"