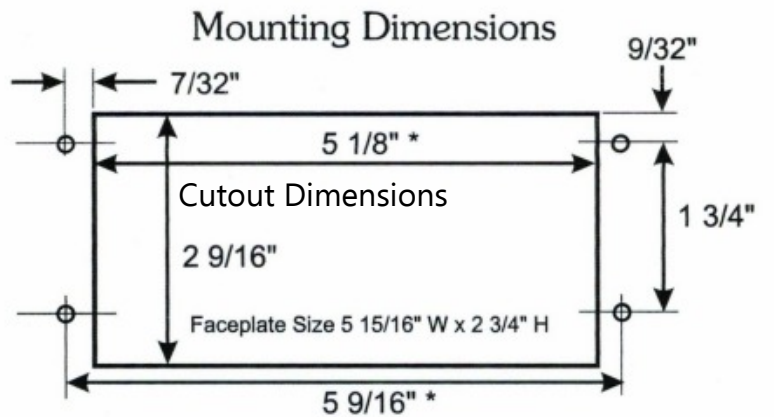


**GRT**

GRAND RAPIDS TECHNOLOGIES

**EIS Full Size Panel Planning Template**



Note: Instruments are 2 3/8" deep. Allow 3/4"-1 1/2" additional depth for connectors on rear of instrument. The warning light requires a 9/16" diameter mounting hole.