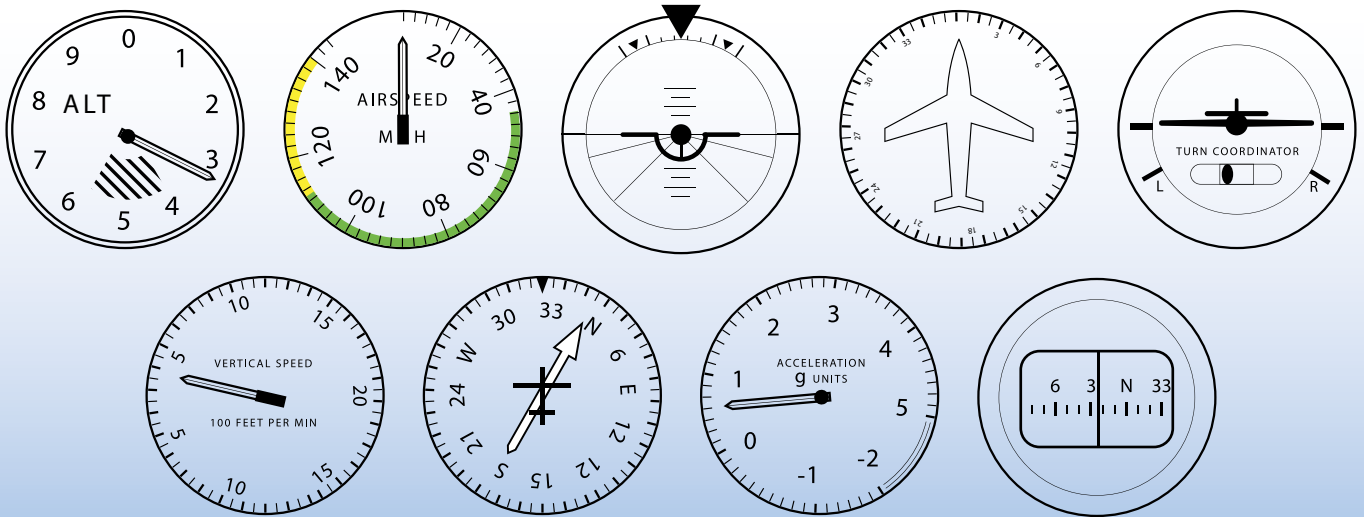


Ultra EFIS

9 instruments in 1

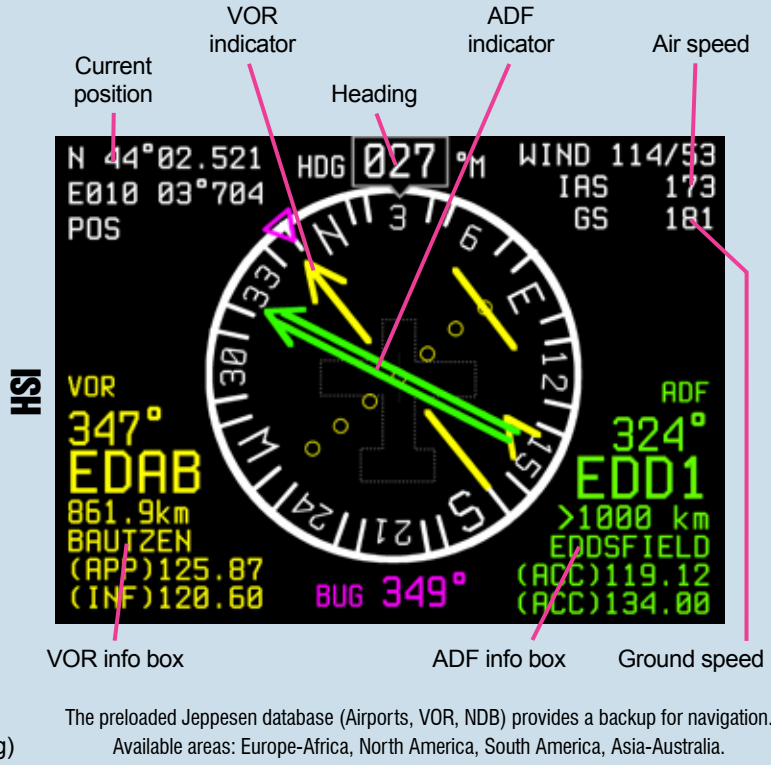
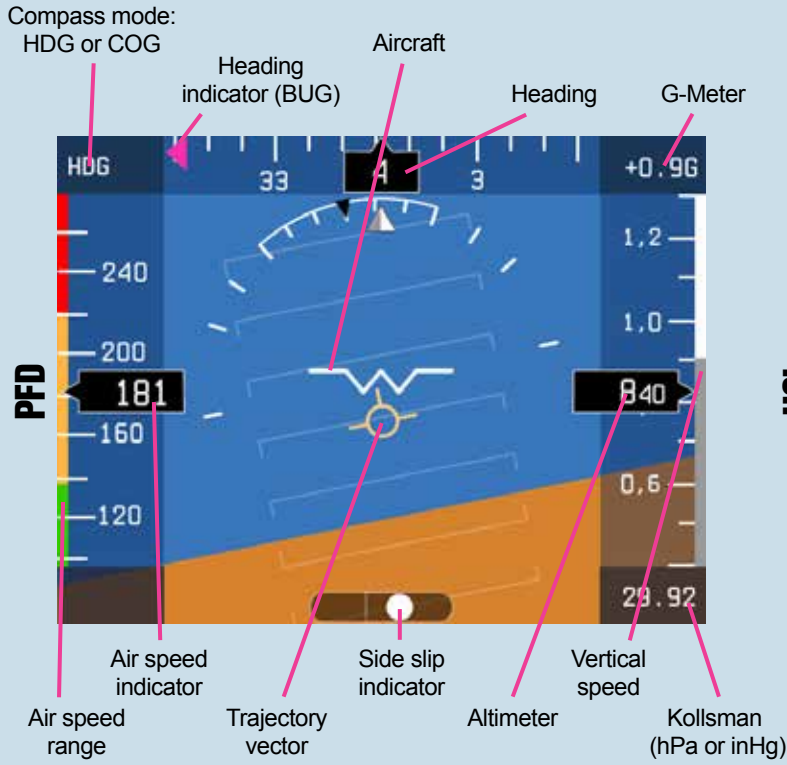


1. Altimeter
2. Airspeed Indicator
3. Artificial Horizon
4. Directional Gyro /
Horizontal Situation Indicator
5. Side slip Indicator
6. Vertical Speed Indicator
7. Automatic Direction Finder with GPS
8. G-meter
9. Magnetic compass

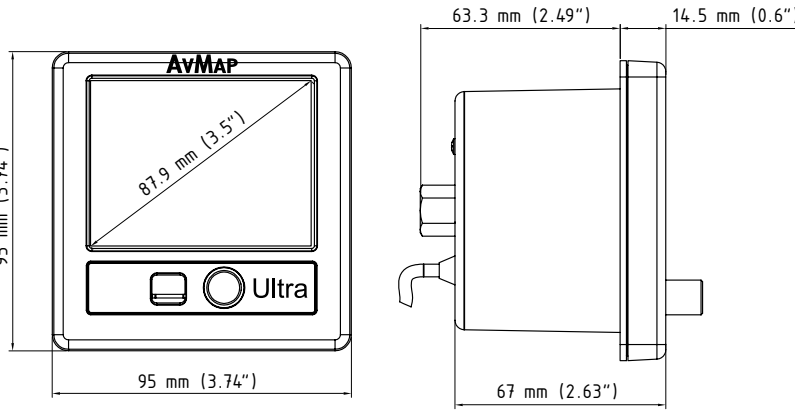


**Save space, weight
and money.**

Only 3.74" x 3.74" Only 8.1 Oz Only \$ 1199



The preloaded Jeppesen database (Airports, VOR, NDB) provides a backup for navigation. Available areas: Europe-Africa, North America, South America, Asia-Australia.



Operating temperature: -20°C + 70°C (-4°F + 158°F)

Designed for light-sport, ultralight and experimental aircraft

Ultra light: only 8.1 Oz

Ultra compact: only 3.74" x 3.74" x 2.63"

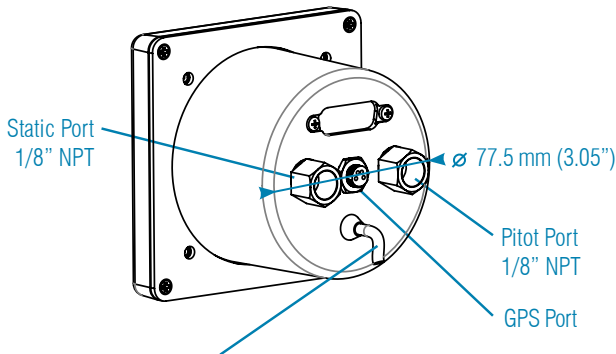
Ultra bright: 3.5" LCD display, 500 cd/m2 brightness

Ultra powerful:

- Solid state 3-axis gyro +/- 1600 deg/s
- 3-axis accelerometer +/- 8 g
- 3-axis magnetometer
- Air data sensors: from 10 a 215 kts, from 1000 to 40000 ft

Easy to install and to calibrate

AvMap Ultra connects to the aircraft Pitot - Static system to provide Air Data and advanced performance!



Power 10/35 VDC. Consumption: @ 12 V DC: 100 mA nominal

AvMap avionic products

AvMap products are 100% Made in Italy since 1994 and used by private pilots as well as by Armed forces, Governmental agencies, rescue teams, Civil Defense. Find out AvMap's complete range of avionic products including portable GPS, Cockpit integrated solutions and instruments for ultra light and experimental aircraft.

Headquarters:

AvMap S.r.l.
Viale Zaccagna 6
54033 Carrara (MS) ITALY
info@avmap.it
f AvMap.it

North America:

AvMap Navigation
29 Simpson Lane, Unit 3
Falmouth MA 02540, USA
info@avmap.us
f AvMap.us

South America:

AvMap do Brasil Ltda.
Rua Professor Getúlio Nogueira de Sá, 51
CEP: 13208-180 Jundiá, São Paulo, SP, Brazil
info@avmap.com.br
f AvMap.br