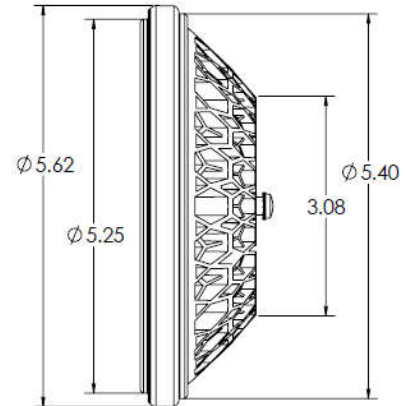
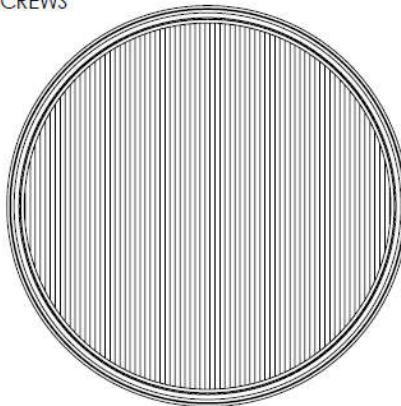
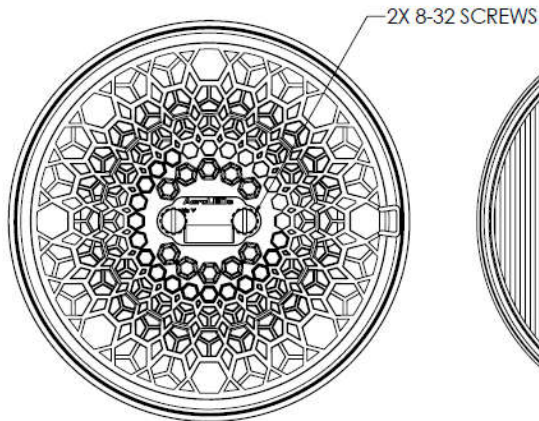
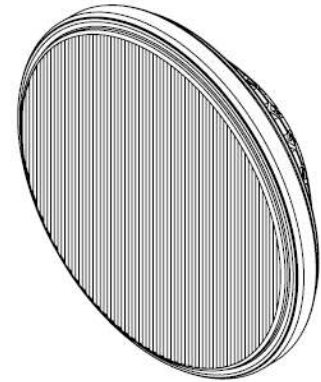
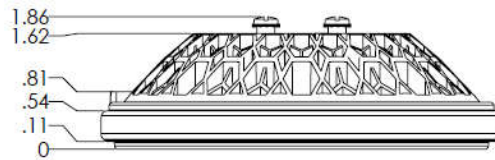




Product Datasheet
SunSpot 46-4554 Taxi Light
01-2230-4554



Voltage: 28VDC/28VAC	Length: 5.6"
Current: 6.3A at 28VDC	Width: 5.6"
Power: 175 Watts	Depth: 1.9"
Pulse/WigWag: N/A	Weight: 20 ounces
Synchronization: N/A	Heat Sink Material: Aluminum/ Black Powder Coat
Thermal Protection: Built In	Lens Material: Polycarbonate
Lumens: 19,250 lm	Lens Protection: N/A
Candela: 100,000 cd	Mounting: PAR 46 Ring Clamp
Beam Profile (10% peak): Vertical: 20°	MTBF: >30,000 Hours
Horizontal: 60°	Temperature Range: -55C to +70C