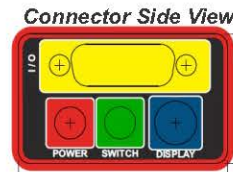
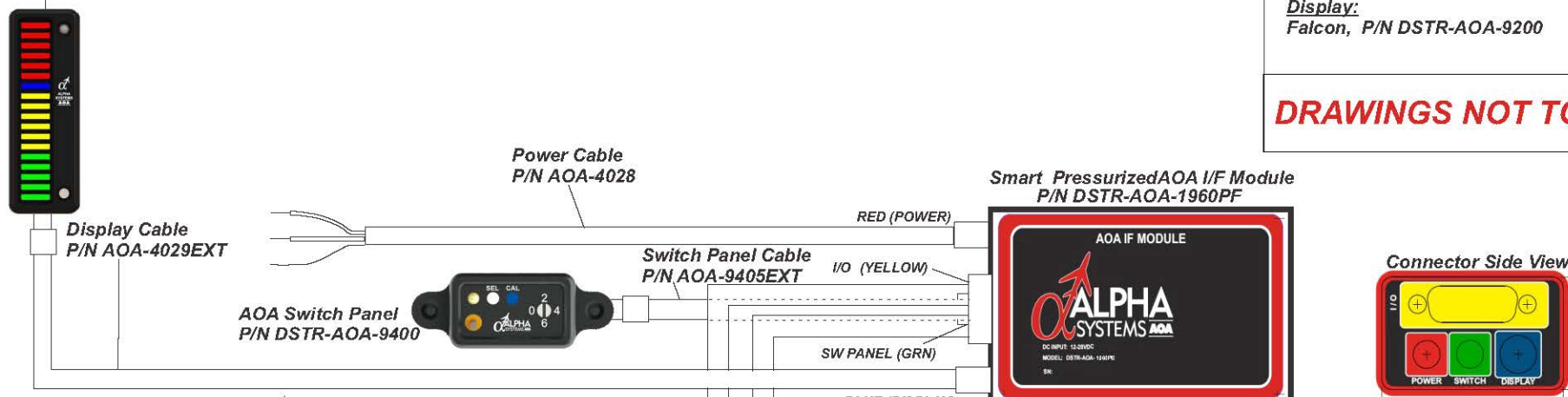


**Alpha Systems AOA Pressurized System Diagram**

Display:  
Falcon, P/N DSTR-AOA-9200

**DRAWINGS NOT TO SCALE**



Power Cable pigtail connections	Wire Color
+12 to +28V DC Power Source	White
Power Source Ground	White/Blue
Metal Ground	Drain Wire

(may or may not be present)  
(If present, connect to metal surface of aircraft if Control Module is not mounted to a metal surface)

AOA I/F Module Connector Pin Definitions		
Connector	Pin #	Definition
Power (C3)	1	+12VDC to +28VDC Input
	2	Power Ground
	3	Metal Ground
	4	Not Used

I/O (C4)	1	AP Ground
	2	AP Audio (mono)
	3	Reserved
	4	Shield
	5	TXD
	6	Ground
	7	I2C Bus CLK
	8	I2C Bus DATA
	10	Ground
	11	+12 VDC to +28 VDC Out
	12	Sensor I/F Analog Out

Display (C1)	1, 2, 6, 7, 8	Display +5VDC Power
	3	Reserved
	4	I2C Clk (SCL)
	5	I2C Data (SDA)
	9	no connect
	10	no connect

Switch (C2)	1	+5VDC
	2	Ground
	3	I2C Clk (SCL)
	4	I2C Data (SDA)
	5	Reserved
	6	Reserved

Sensor + Audio I/F Cable  
P/N AOA-4056

Cable pigtail connections to Aircraft Audio Panel:

Signal	Wire Color
AP Audio (mono)	White/Green
AP Ground	White/Black
Shielding wire	Bare Wire

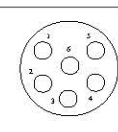
1 Volt P-P max, @ 300 ohm input impedance

Cable Pigtail Connections to Bulkhead Connector

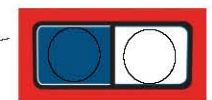
Signal	Wire Color
Sensor I/F Ground	White/Blk
Sensor I/F Power	White/Red
Sensor Analog Output	White
Shielding wire	Bare Wire

Note:  
AOA (Display) I/F Module ~ .650 lbs.  
Sensor I/F Module ~ .420 lbs.

Connector Side View



Hose Connector Side View



Factory Bulkhead Connector (PLANE)

AOA Sensor I/F Module  
P/N DSTR-AOA-1975



Sensor I/F Module Exterior  
Cable P/N AOA-4055

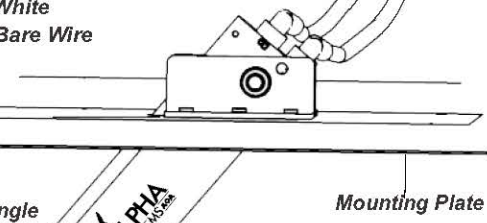
Cable Pigtail Connections to Bulkhead Connector

Signal	Wire Color
Sensor I/F Ground	White/Blk
Sensor I/F Power	White/Red
Sensor Analog Output	White
Shielding wire	Bare Wire

Pressure Hoses

Forward

50 Degree Angle (Starting Angle)



Alpha Systems AOA Pressurized Falcon Connection Diagram (DSTR-AOA-9200PK)		
DWG NO. SCH 009	03-08-2017	REV E