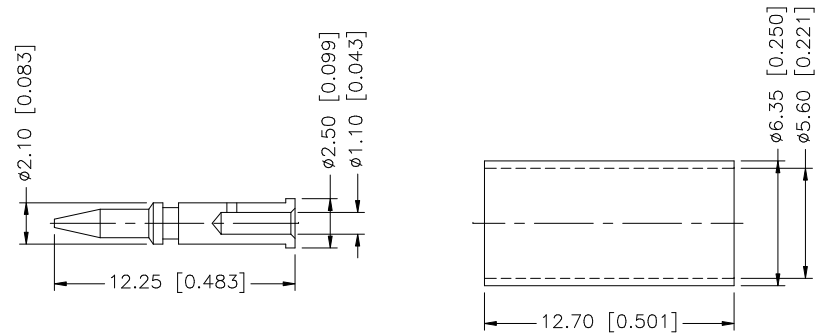
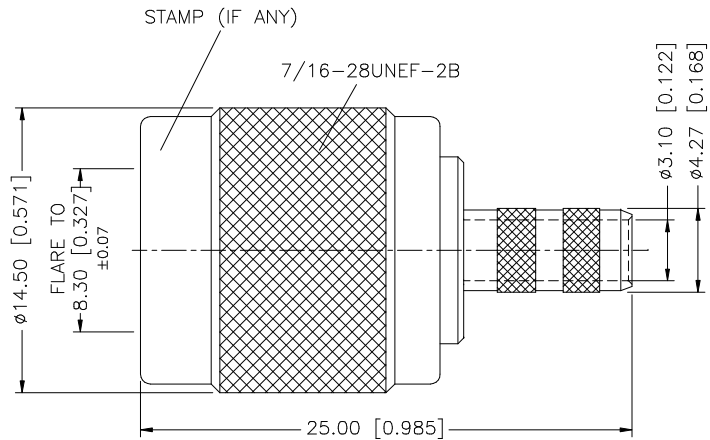
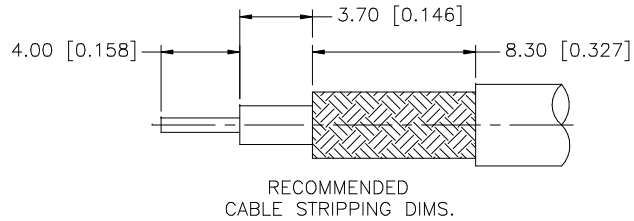


REV.	DATE	DESCRIPTION
A	12/23/02	MODIFY CONTACT PIN LENGTH



NOTE:

1. CRIMPED FERRULE
HEX CRIMP SIZE .213"
2. CRIMPED CONTACT PIN
HEX CRIMP SIZE .068"

8					<small>UNLESS OTHERWISE SPECIFIED DIMENSIONS ARE IN MILLIMETERS. DIMENSIONS IN [] ARE IN INCHES AND FOR CUSTOMER REFERENCE ONLY.</small> <small>UNLESS OTHERWISE SPECIFIED TOLERANCES FOR MILLIMETERS ARE:</small> 0.5 - 8mm ± 0.20mm 8 - 30mm ± 0.40mm 30 - 120mm ± 0.50mm <small>UNLESS OTHERWISE SPECIFIED TOLERANCES FOR INCHES ARE:</small> .020 - .315 = ± 0.007" .315 - 1.180 = ± 0.015" 1.180 - 4.724 = ± 0.020"	APPROVALS	DATE	<h1 style="color: blue;">Amphenol Connex</h1>										
7				DRAWN		G.R.S.	12/23/02											
6				5		FERRULE	COPPER	NICKEL	1	PART DESCRIPTION TNC CRIMP PLUG (FOR RG-55/U,142A/U,223/U,400/U CABLE)								
4				4		GASKET	RUBBER	RED	1									
3				3	INSULATOR	DELTRIN	NATURAL	1	PART NO. 122372									
2				2	CONTACT PIN	BRASS	GOLD	1										
1				1	SHELL/BODY	BRASS	NICKEL	1	SHEET	1 OF 1	DWG. NO.	122372.DWG	REV.	A	SIZE	A	SCALE	NA
				DO NOT SCALE DRAWING		CAD FILE		C:/122/122372.DWG										