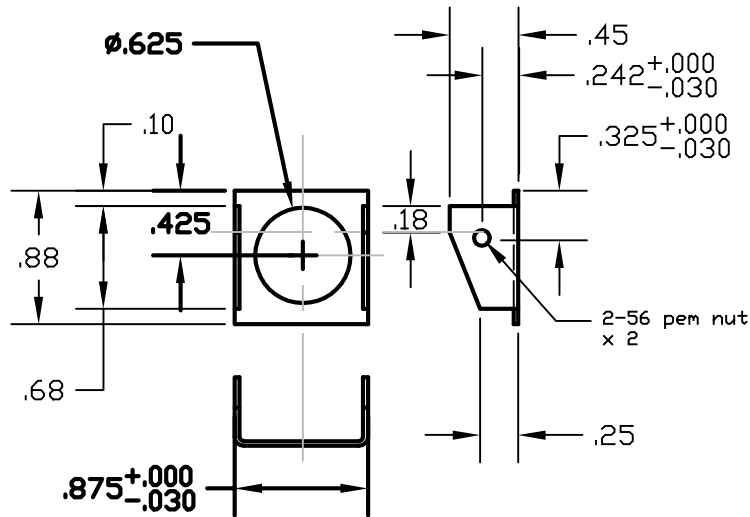


NOTES: (UNLESS OTHERWISE SPECIFIED)

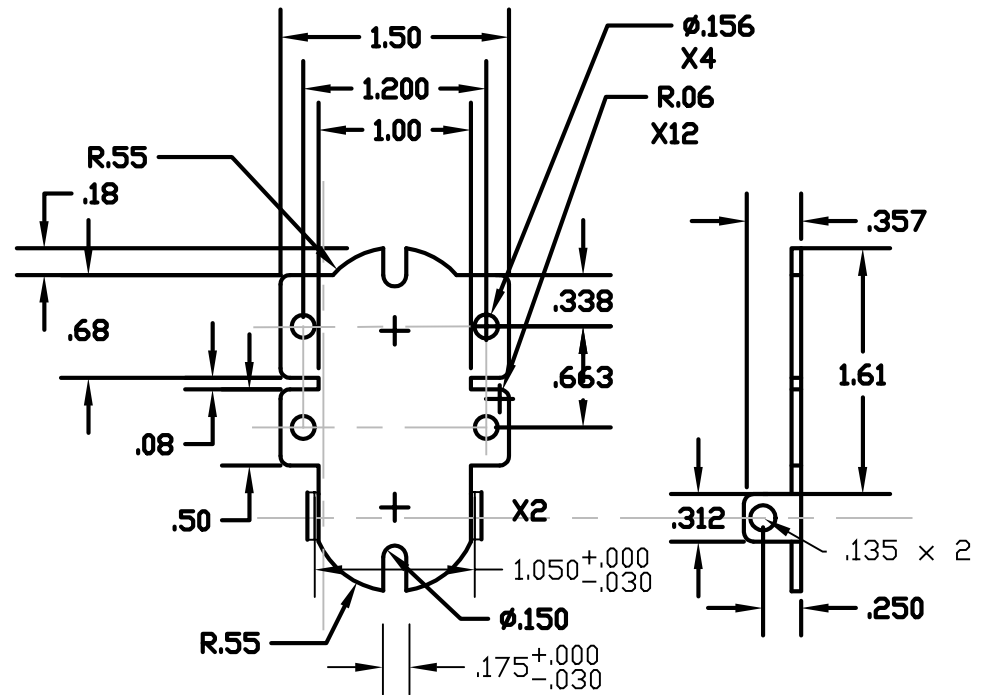
1. ALL BEND RAD. .03 BEND RELIEFS TO BE MIN. AS REQUIRED.
2. DEBURR AND BREAK SHARP EDGES.
3. FINISH: Powdered Paint - Black Non-gloss

REVISIONS					
REV	ECN #	ZONE	DESCRIPTION	DATE	APPROVED
REV-0			INITIAL RELEASE	3-8-07	JRM

ITEM 1
.032 ALUM.



ITEM 2
.062 ALUM.



2	1	LS01-19036	BLOWER STAND
1	1	LS01-19048	BLOWER FRONT BUSHING MANIFOLD
ITEM #	QTY.	PART NO.	DESCRIPTION
UNLESS NOTED OTHERWISE TOLERANCE BLOCK: DIMENSIONS ARE IN INCHES		PROPRIETARY THIS DOCUMENT AND THE DATA DISCLOSED HERewith IS NOT TO BE REPRODUCED, USED, OR DISCLOSED IN WHOLE OR IN PART TO ANYONE WITHOUT WRITTEN AUTHORIZATION FROM LONE STAR AVIATION	
DECIMALS	ANGULAR	APPROVALS DO NOT SCALE DRAWING MATERIAL: ALUM FINISH: POWDER COAT - BLK	
XX ±.030	±1°	DRAWN BY LB APPROVED BY JRM NEXT ASSY.	DATE 3-8-07 3-8-07
XXX ±.005		TITLE 1 PORT MECHANICAL 12V/24V	
XXXX ±.0005		SIZE A SCALE NONE	DWG NO. LS03-02040-02 SHEET 1 OF 1

Lone Star Aviation, Inc.
604 S. Wisteria St.
Mansfield, TX 76063
Ph 682-518-8882
Fax 682-518-8831

DWG. NO. LS03-02040-02
SH. 1 OF 1
REV. Rev-0