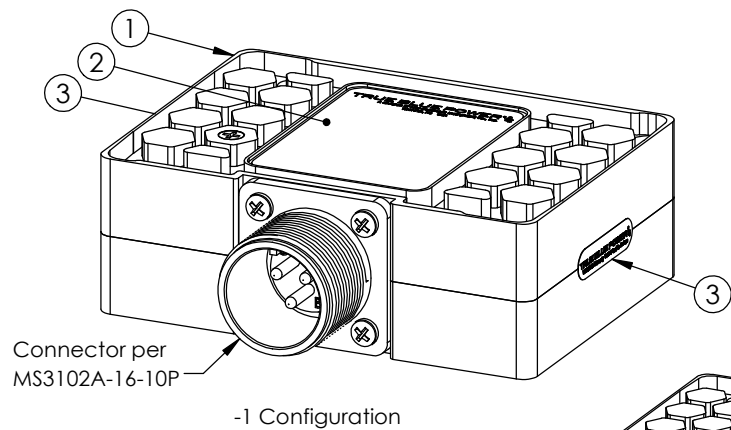
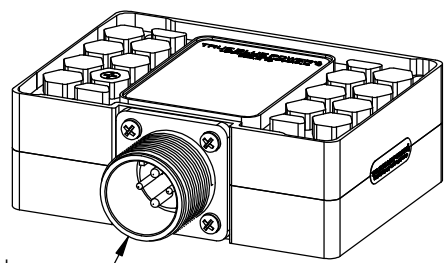


Configuration			
Dash #	Remote On/OFF	Connector Kit	Assy, TC230
-1	No	9018654	9018668-1
-2	Yes	9018655	9018668-2

Revision				
ECO	Rev.	Description	Date	Approved
	A	Production release.	09/01/16	VAA/IDD
6675	B	Changed model number from TC234 to TC230.	10/05/16	VAA/Sch

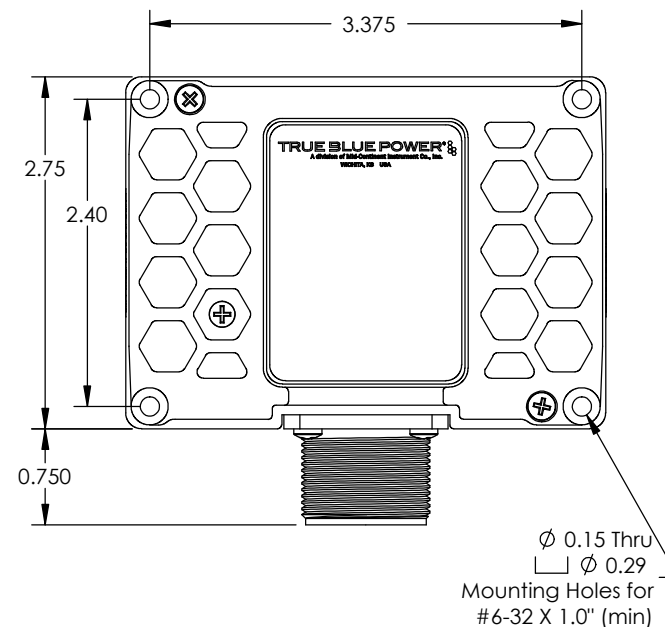


-1 Configuration



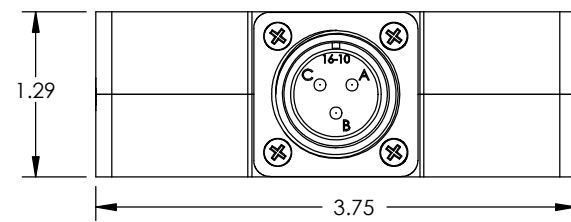
-2 Configuration

Connector Pinout		
Pin	-1 Config	-2 Config
A	VDC Input	VDC Input
B	DC Return	DC Return
C	DC Output	DC Output
D	N/A	Remote ON/OFF



Ø 0.15 Thru
 □ Ø 0.29
 Mounting Holes for
 #6-32 X 1.0" (min)

Specifications	
Model Number	TC230
Power Input	10-18 VDC 18 Amps nominal @ 14VDC; 23 Amps max
Power Output	28 VDC 230 watts rated power 8 Amps @ 28V nominal
Efficiency	90% nominal
Features	Short-circuit protection; reverse polarity protection; over-temp protection;
Qualification	FAATSO-C71 RTCA DO-160G (See Installation Manual)
Temperature	-55°C to +70°C
Mating Connector	See Configuration
Case	Machined aluminum, blue anodized
Weight	0.70 lbs (0.32 kg) max
Install Manual	P/N 9018670



Item	Qty	Part Number	Description
1	1	9018668-1	Assy, TC230
2	1	9018669	Nameplate, TC230
3	2	6018956-1	Decal, Warranty, TBP

UNLESS OTHERWISE SPECIFIED, ALL DIMENSIONS ARE IN INCHES.
 TOLERANCE:
 FRACTIONAL= ±1/64
 .XX= ±0.015
 .XXX= ±0.005
 .XXXX= ±0.002
 ANGULAR= ±0.5°
 CONCENTRICITY: 0.005 TIR
 BREAK ALL SHARP EDGES
 THREADS PER MIL-S-7742

DRAWN:
 VAA
 06/13/2016
 APPROVED:
 IDD
 09/01/2016

This document discloses proprietary information of Mid-Continent Instrument Co., Inc. It may be reproduced or disclosed only with written permission of Mid-Continent Instrument Co. and is not to be used in any way detrimental to the interests of Mid-Continent Instrument Co., Inc.

TRUE BLUE POWER
 A Division of Mid-Continent Instrument Co., Inc.

TITLE: Converter, DC/DC, 230W		PART NUMBER: 6430234
SCALE: 2:3	DO NOT SCALE THIS DRAWING	SHEET: 1 of 1