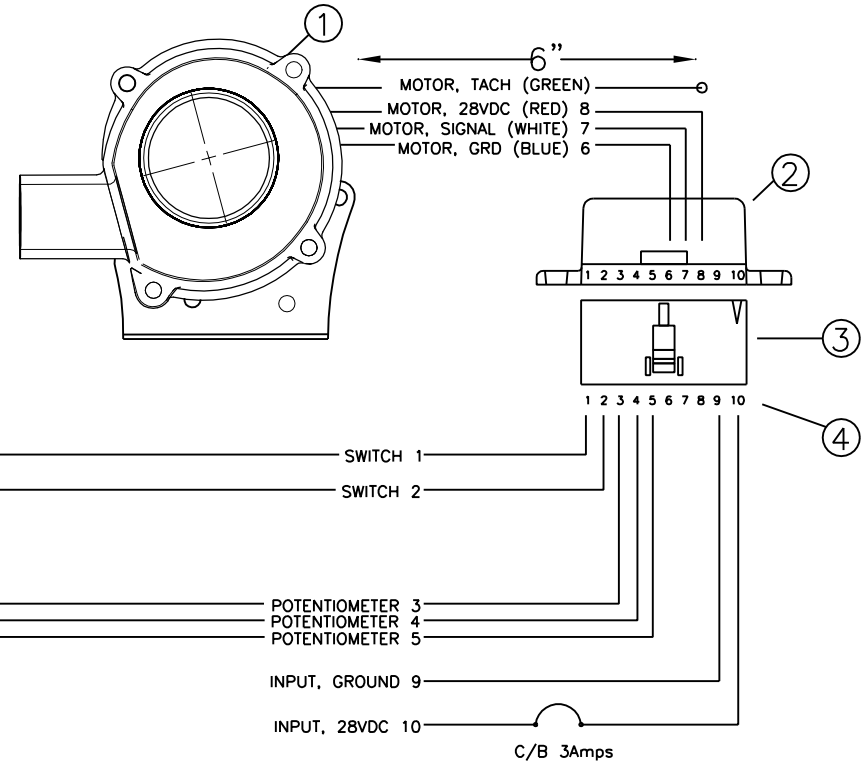
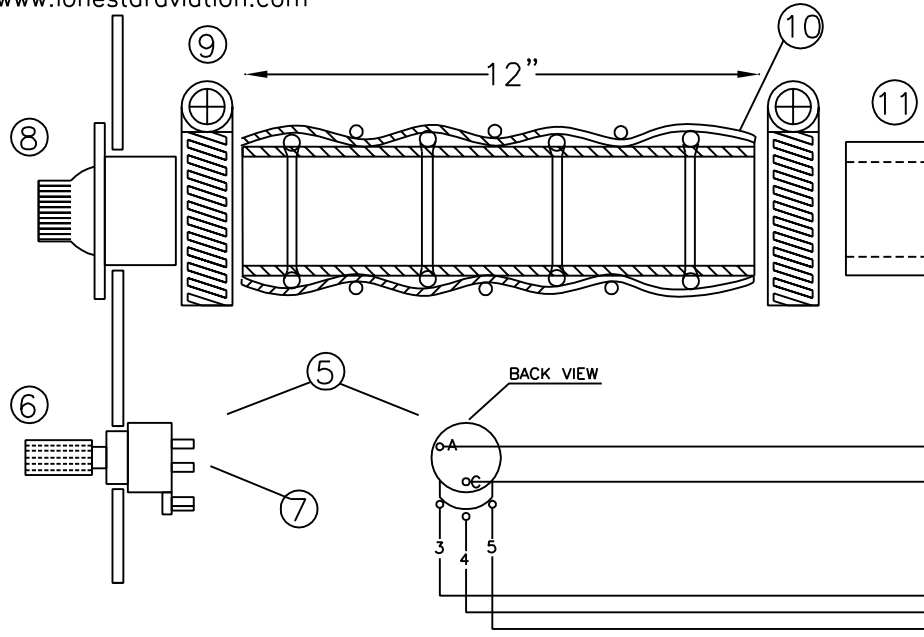


Lone Star Aviation, Inc.
 604 S. Wisteria Street
 Mansfield, Texas 76063
 682-518-8882
 682-518-8831 fax
 www.lonestaraviation.com

REVISION BLOCK					
REV	ECN #	ZONE	DESCRIPTION OF CHANGE(S)	DATE	APPROVED
REV-0	N/A	N/A	Initial Release	10-4-13	JRM



LS03-03043 - 24V Frosty Ventilation Blower

LS03-02058 - Ventilation Speed Controller

- Includes:
 LS01-06832 - Ampmodu Latching Connector
 LS01-06835 - Ampmodu Connector Pins
 LS01-19045 - Potentiometer w/ Switch
 LS01-19044 - Potentiometer Knob
 LS01-13042 - Heat Shrink 1/8" ID x 1"

Equipment Inspection: Annual
 Visual inspection for the following:
 1. Hardware: Check for loose hardware.
 2. Connector: Check connector wiring
Damaged Equipment Procedure:
 If equipment fails to function normally call the factory for technical support.

DC Motor PMA:
 Pin 6: Blue Motor Ground 6"
 Pin 7: White Motor Signal 6"
 Pin 8: Red Motor +28V 6"
 Pin 9: Green Motor Tach N/C 6"

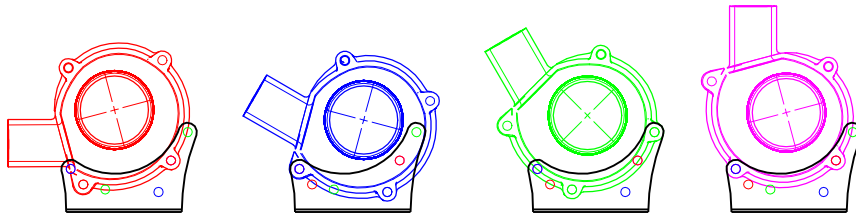
SPECS:
 RPM 7600RPM nominal
 Input Voltage 10-28VDC
 Nominal Current 0.5Amps
 Max Current 0.8 +/- 0.1Amps
 Max High Temp 90°C
 Max Low Temp 0°C

Reference: Refer to FAA AC 43.13 Acceptable Methods, Techniques, and Practices - Aircraft Alterations when installing the Fan Failure Warning System.

LS03-03045 - Frosty Ducting Kit

- Includes:
 LS03-03905 - Ducting, 1.75" Silicone 1 Ply (12")
 LS01-19077 - Clamp 1.75", Narrow (x2)
 LS01-19075 - Plastic Eye Ball Vent
 LS01-19076 - Foam Spacer

The Blower Housing can be mounted in 4 different positions to aid in installation.




11	1	LS01-19076	FOAM SPACER
10	1	LS03-03905	DUCTING - 1.75" SILICONE 1 PLY
9	2	LS01-19077	CLAMP 1.75" NARROW
8	1	LS01-19075	PLASTIC EYE BALL VENT
7	6	LS01-13042	Heat Shrink 1/8" ID x 1" Black
6	1	LS01-19044	POTENTIOMETER KNOB
5	1	LS01-19045	POTENTIOMETER W/SWITCH
4	12	LS01-06835	SPEED CONTROLLER PINS
3	1	LS01-06832	SPEED CONTROLLER LATCHING CONNECTOR
2	1	LS03-02058	FROSTY VENTILATION BLOWER SPEED CONTROLLER
1	1	LS03-03043	FROSTY VENTILATION BLOWER 24V

ITEM #	QTY.	PART NO.	DESCRIPTION
UNLESS NOTED OTHERWISE TOLERANCE BLOCK: DIMENSIONS ARE IN INCHES DECIMALS ±1° ANGULAR XX ± .030 XXX ± .015 XXXX ± .0005 DO NOT SCALE DRAWING			
MATERIAL		APPROVED BY JRM	DATE 10-4-13
FINISH		APPROVED BY JRM	DATE 10-4-13
NOTE:		SCALE NONE	COMP. FILE
NEXT ASSY.		SHEET 1 OF 1	

PROPRIETARY THIS DOCUMENT AND THE DATA DISCLOSED HEREWITH IS NOT TO BE REPRODUCED, USED, OR DISCLOSED IN WHOLE OR IN PART TO ANYONE WITHOUT WRITTEN AUTHORIZATION FROM LONE STAR AVIATION, INC

APPROVALS: _____ DATE: _____

DRAWN BY L DAVIS 10-4-13



LONE STAR AVIATION CORP.
Mansfield, Texas

TITLE FROSTY VENTILATION BLOWER INSTALL

SIZE A DRAWING NO. LS03-03042 REV 0

DVG. NO. LS03-03042
 SH. 1 of 1
 REV. REV-0

A