

Technical Product Manual

VDO cockpit vision VDO cockpit international

11. Ammeter (dia. 52 mm)

Contents	Page
11.1 General informations	11 - 2
11.2 Technical data	11 - 5
11.3 Wiring diagram	11 - 9
11.4 Dropping resistor for 24V (only for type B)	11 - 11
11.5 Instruments survey	11 - 12

Installation instructions

Type A:

999-161-015: VDO cockpit vision

999-161-007: VDO cockpit international

Type B (150 Ampere):

—

See file 'Installation Instructions (MA)'.

Technical Product Manual

VDO cockpit vision VDO cockpit international

11. Ammeter (dia. 52 mm)

11.2 Technical Data

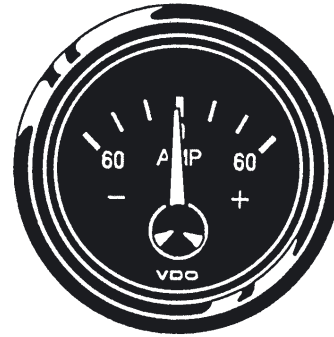
Type A

Operating temperature:	- 30°C ... + 85°C
Storage temperature:	- 40°C ... + 90°C
Illumination:	1 Light bulb 12 V, 2 W or (option) 24 V, 2 W
Protection:	IP64 DIN 40050 from the front
Vibration resistance:	max. 1g eff., 25 ... 2000 Hz, duration 8 h, f: 1 octave/min.
Nominal position:	NL 0 to NL 90, DIN 16257

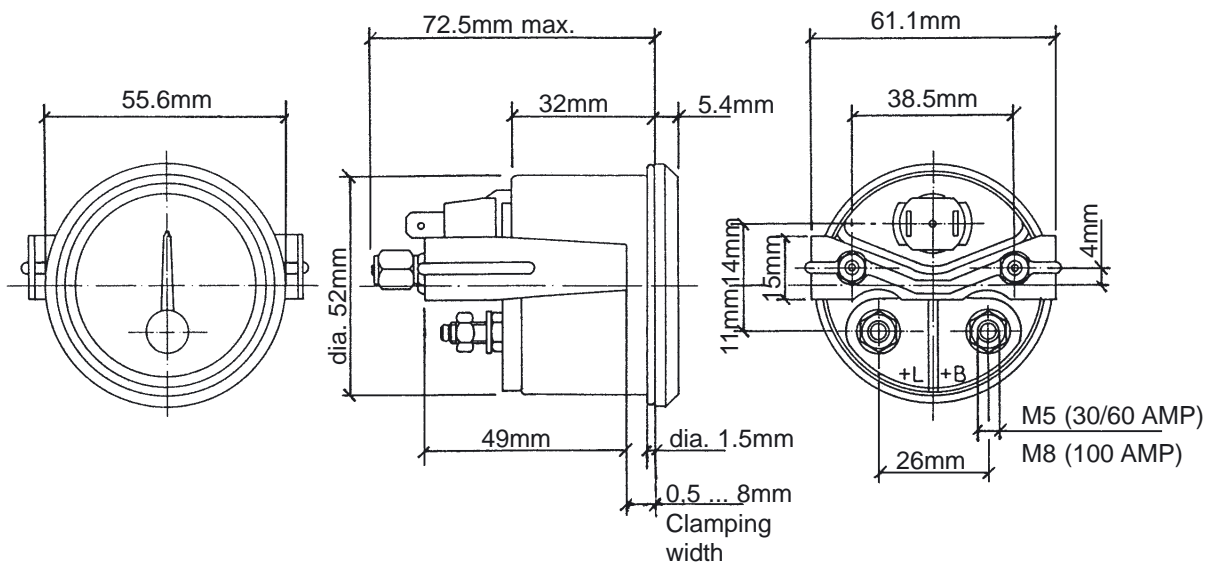
VDO cockpit international

dia. 52 mm

Floodlight



Mounting hole: dia. 53mm



Pin assignment:

- + L: Alternator (terminal B+) and ignition switch (terminal 30)
- + B: + Battery (starter, terminal 30)

Technical Product Manual

VDO cockpit vision VDO cockpit international

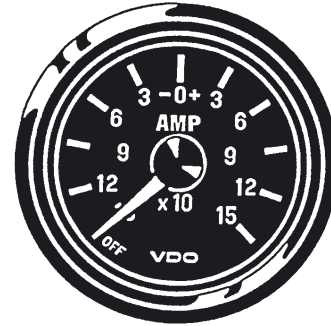
11. Ammeter (dia. 52 mm)

11.2 Technical Data

Type B (150 Ampere): Indicating Instrument

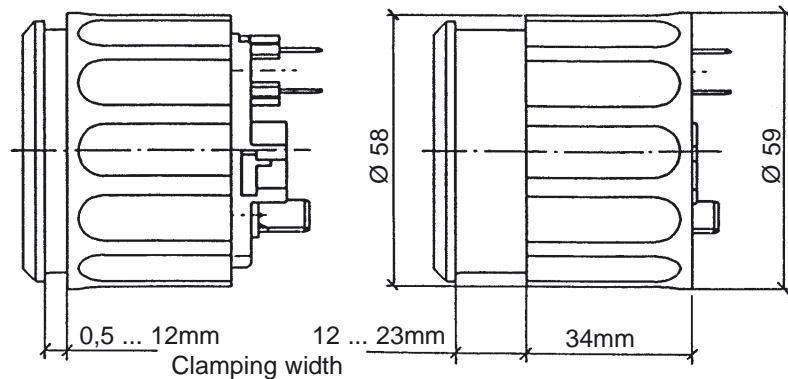
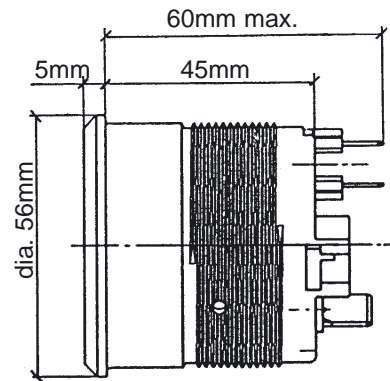
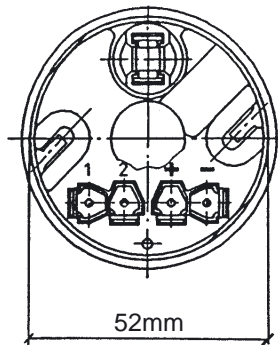
Operating voltage:	10.8 V ... 16 V
Movement:	System Ke ($\rightarrow 320^\circ$)
Pickup:	Shunt (not included)
	50 mV at max. deflection
Current consumption:	100 mA (without illumination)
Operating temperature:	$-20^\circ\text{C} \dots +70^\circ\text{C}$
Storage temperature:	$-30^\circ\text{C} \dots +85^\circ\text{C}$
Illumination:	1 light bulb 12 V, 2 W
Protection:	IP64 DIN 40050 from the front, CE approved, reverse-polarity protection
Vibration resistance:	max. 1g eff., 25 ... 2000 Hz, duration 8 h, f: 1 octave/min.

VDO cockpit international
dia. 52 mm Floodlight



Mounting hole: dia. 53mm

Pin assignment:
1: Signal +
2: Signal -
+: Battery + (12 V)
-: Battery -



Technical Product Manual

VDO cockpit vision VDO cockpit international

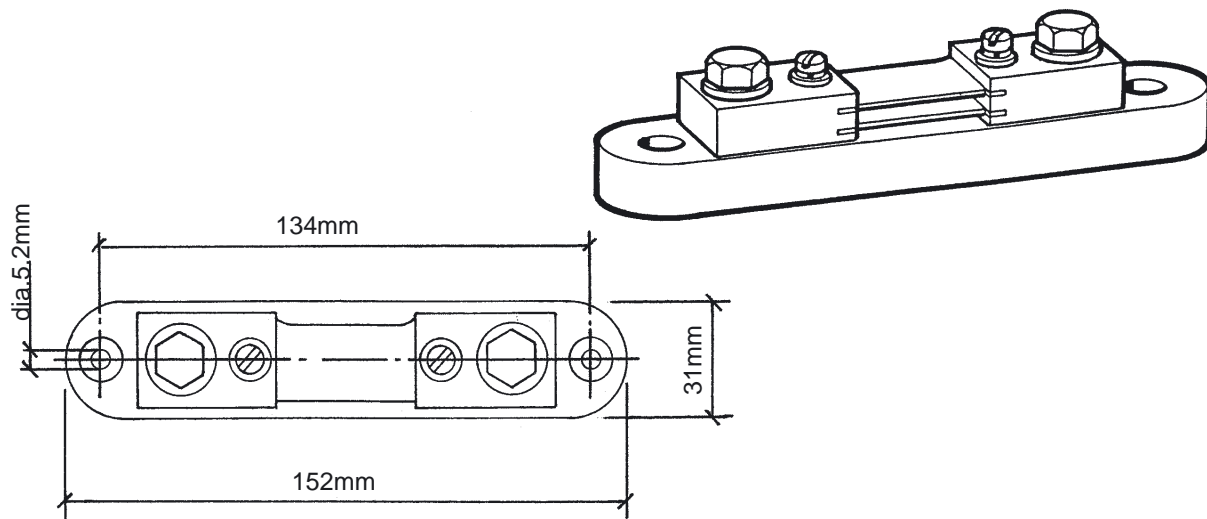
11. Ammeter (dia. 52 mm)

11.2 Technical Data

Type B (150 Ampere): Accessories

VDO cockpit international

Shunt

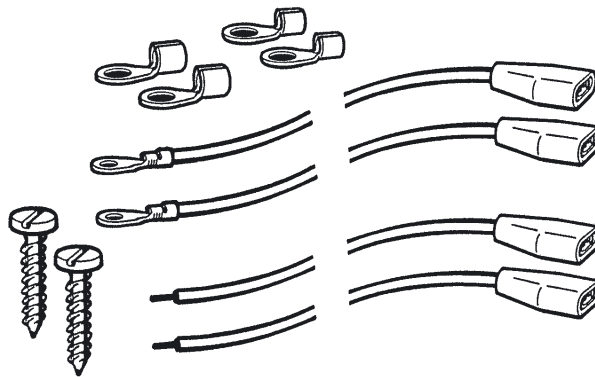


Part No.: X10-191-000-001

Wiring Kit (this is not part of the supply)

must consist of:

- 1x cable, black, 1 mm², 10 m long
- 1x cable, blue, 1 mm², 10 m long
- 1x cable, brown, 0.75 mm², 1 m long
- 1x cable, grey-red, 0.75 mm², 1 m long
- 2x eyelet terminal for 16 mm²
- 2x eyelet terminal for 10 mm²
- 2x self-tapping screw, ISO 1481-ST 4.2 x 22-C-A4 (DIN 7971)



Do not shorten the black and the blue cable (10 m measuring leads).