

Technical Product Manual

VDO cockpit vision VDO cockpit international

8. Electric Fuel Level Gauge (dia. 52mm) (Fuel Level Sensor, Lever-Type)

Contents	Page
8.1 General informations	8 - 2
8.2 Technical data	8 - 4
8.3 Lever-type fuel level sensors	8 - 6
8.4 Wiring diagram	8 - 13
8.5 Testing instructions	8 - 14
8.6 Instruments survey	8 - 16

Installation instructions

999-161-012: VDO cockpit vision
999-161-004: VDO cockpit international

See file 'Installation Instructions (MA)'.

Technical Product Manual

VDO cockpit vision VDO cockpit international

8. Electric Fuel Level Gauge (dia. 52mm) (Fuel Level Sensor, Lever-Type)

8.2 Technical Data

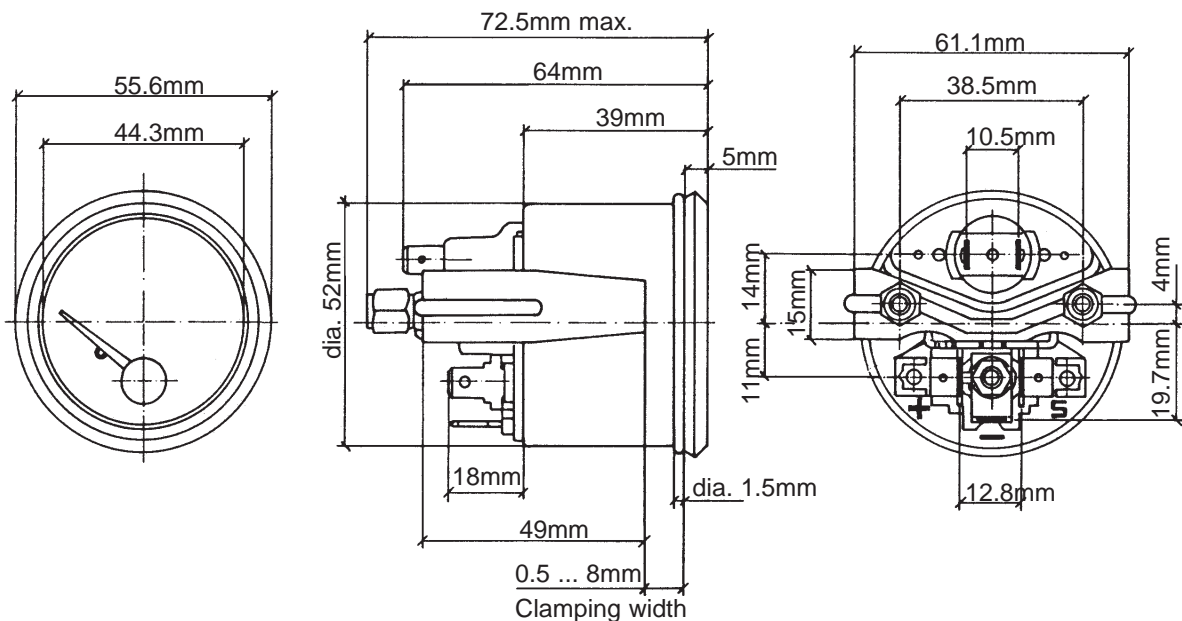
Operating voltage:	11 ... 16 V or 21.5 ... 30 V
Movement:	System Ke (90°)
Current consumption:	86 mA (without illumination)
Operating temp.:	- 30°C ... + 85°C
Storage temperature:	- 40°C ... + 90°C
Illumination:	1 light bulb 14 V, 3.4 W or 24 V, 3 W
Protection:	IP64 DIN 40050 from the front reverse-polarity protection
Vibration resistance:	max. 1g eff., 25 ... 2000 Hz, duration 8 h, f: 1 octave/min.
Nominal position:	NL 0 to NL 90, DIN 16257

VDO cockpit international
dia. 52 mm Floodlight



Mounting hole: dia. 53mm

Sensor: lever-type sensor
(not included)



Pin assignment:

Pin +: + 12 V or + 24 V
terminal 15

Pin -: Ground, terminal 31

Pin S: Sensor