

Technical Product Manual

VDO cockpit vision VDO cockpit international

10. Voltmeter (dia. 52 mm)

Contents	Page
10.1 General informations	10 - 2
10.2 Technical data	10 - 4
10.3 Wiring diagram	10 - 6
10.4 Testing instructions	10 - 7
10.5 Instruments survey	10 - 8

Installation instructions

999-161-009: VDO cockpit vision
999-161-001: VDO cockpit international

See file 'Installation Instructions (MA)'.

Technical Product Manual

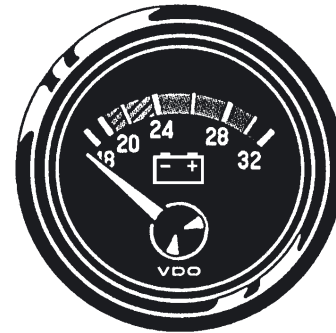
VDO cockpit vision VDO cockpit international

10. Voltmeter (dia. 52 mm)

10.2 Technical Data

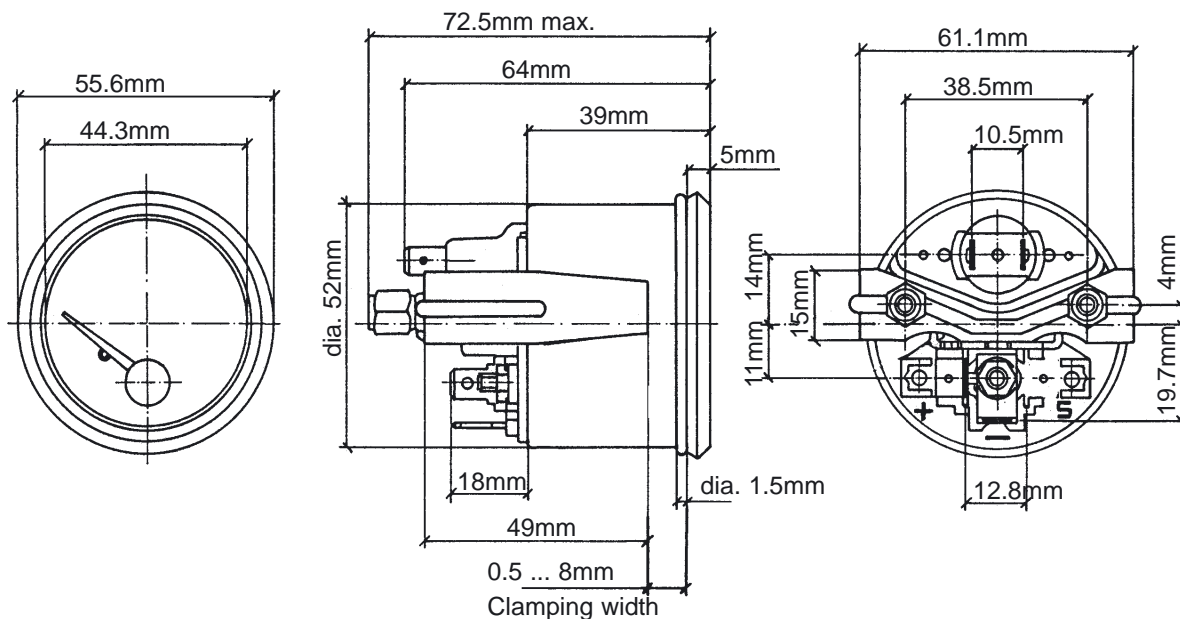
Operating voltage:	8 ... 16 V or 18 ... 32 V
Movement:	System Ke (90°)
Current consumption:	67 mA = 16 V (without illumination) 63 mA = 32 V (without illumination)
Operating temp.:	- 30°C ... + 85°C
Storage temperature:	- 40°C ... + 90°C
Illumination:	1 light bulb 14 V, 3.4 W or 24 V, 3 W
Protection:	IP64 DIN 40050 from the front reverse-polarity protection
Vibration resistance:	max. 1g eff., 25 ... 2000 Hz, duration 8 h, f: 1 octave/min.
Nominal position:	NL 0 to NL 90, DIN 16257

VDO cockpit international
dia. 52 mm Floodlight



Example: voltmeter
operating voltage 18 ... 32 V

Mounting hole: dia. 53mm



Pin assignment:

Pin +: + 12 V or + 24 V,
terminal 15

Pin -: Ground, terminal 31

Pin S: not assigned