



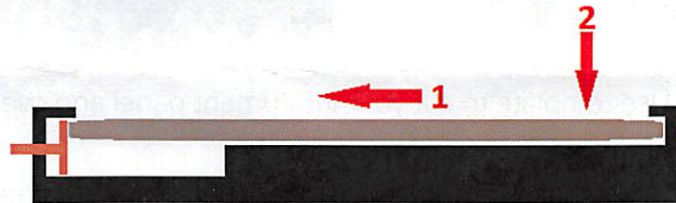
## Installation instructions for flyPad Mount

Thank you for your purchase of the flyPad Mount. This mount was designed to allow for seamless integration of your Apple product into your instrument panel. With the Patent Pending "Slide + Secure" technology, your iPad or iPhone can be inserted and removed without any visible locking mechanisms or latches.

The "Slide + Lock" technique of inserting and removing the iPad or iPhone should be easy and intuitive.

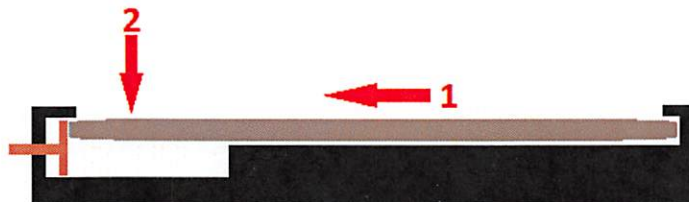
To insert the device:

1. Insert Lightning charging plug into the device (if desired)
2. Slide the bottom of the Device into flyPad Mount and into spring plunger (1 below)
3. Press top of device into flyPad Mount (2 below) and allow spring to hold the device under the upper lip



To remove the device:

1. Place all five fingers on the screen of the device for maximum grip
2. Gently press on screen and slide device in direction show (1 below)
3. Once device is slid completely against spring plunger, gently press on lower portion of the screen (2 below)

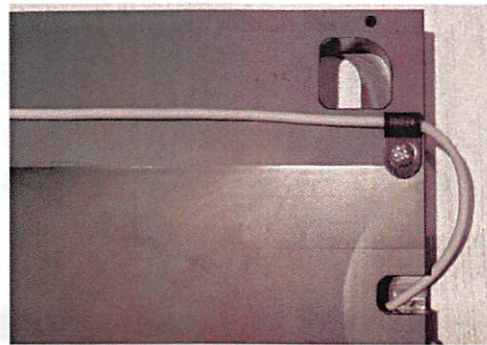


**CAUTION:** If you find it is taking excessive force to insert or remove the device, it is likely not being slid far enough to be released. Do not press with excessive force, or you may damage your device!



The flyPad Mount is made to be installed into your aircrafts panel in a similar fashion to all other aircraft instruments. You can use the attached template to make the opening in the panel to the proper dimensions. Please follow the following instructions to complete the installation of the flyPad Mount.

1. If you would like to use the power cable with your device, install the plastic loop cable clamp as shown below



2. Use template to cut your instrument panel and oversize hole as desired for clearance of mount
3. Use supplied screws to secure flyPad Mount to panel
4. Insert iPhone or iPad
5. Go Fly!!

Crew Feighery, President

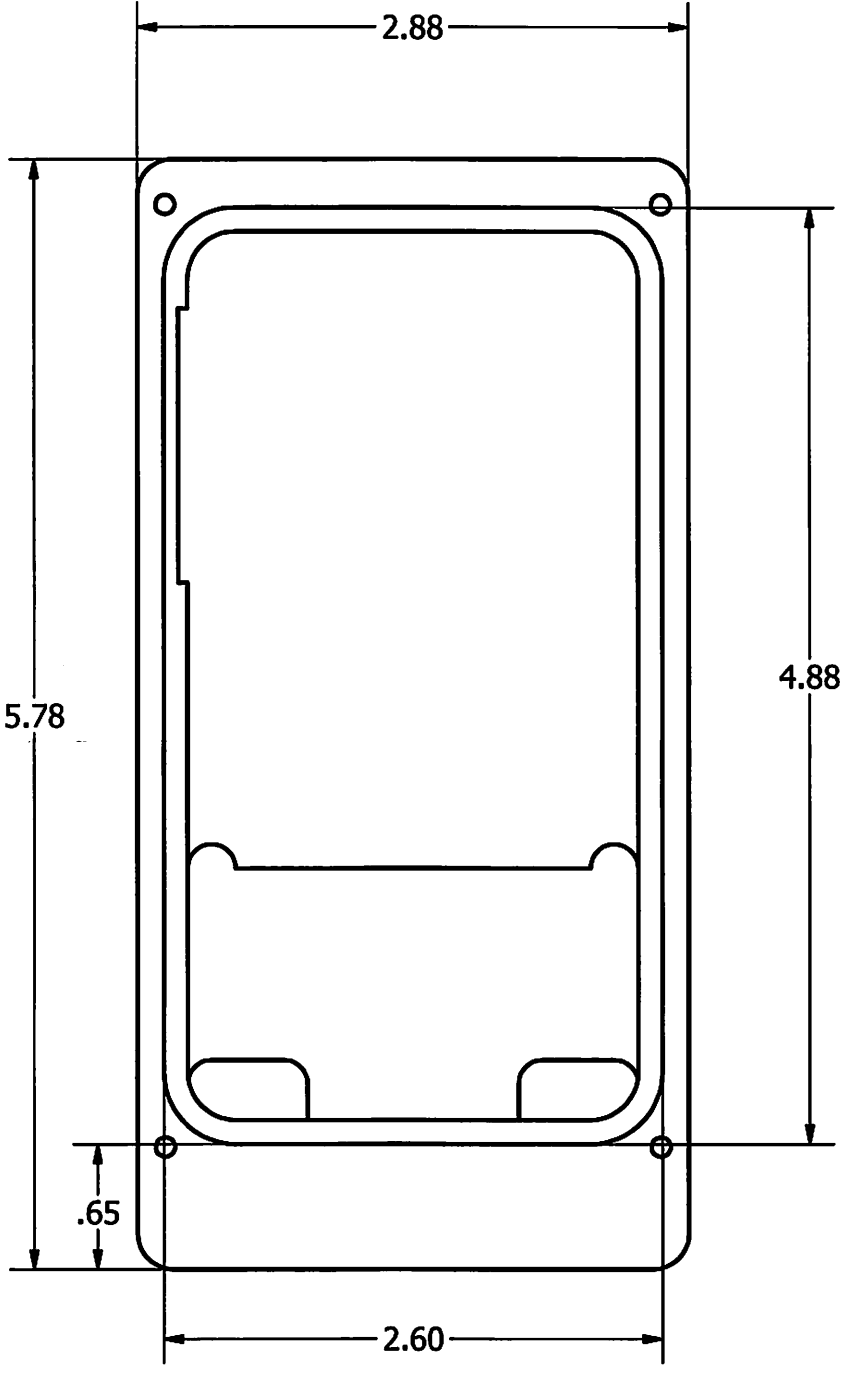
flyPad Mount

B

B

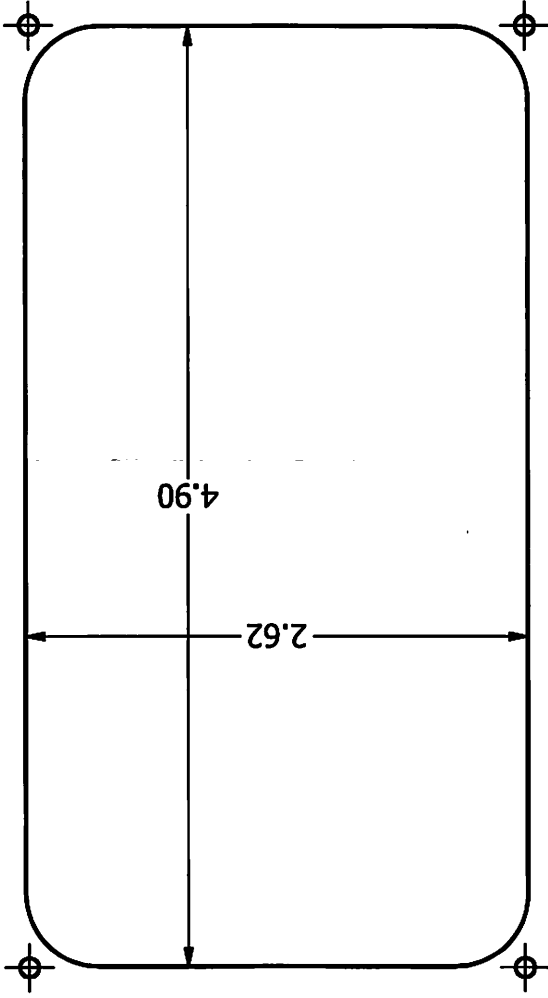
A

A



FLYPAD i5 2.0 GENERAL DIMESIONS

FLYPAD IS 2.0 TEMPLATE



A

B

A

A

B

A