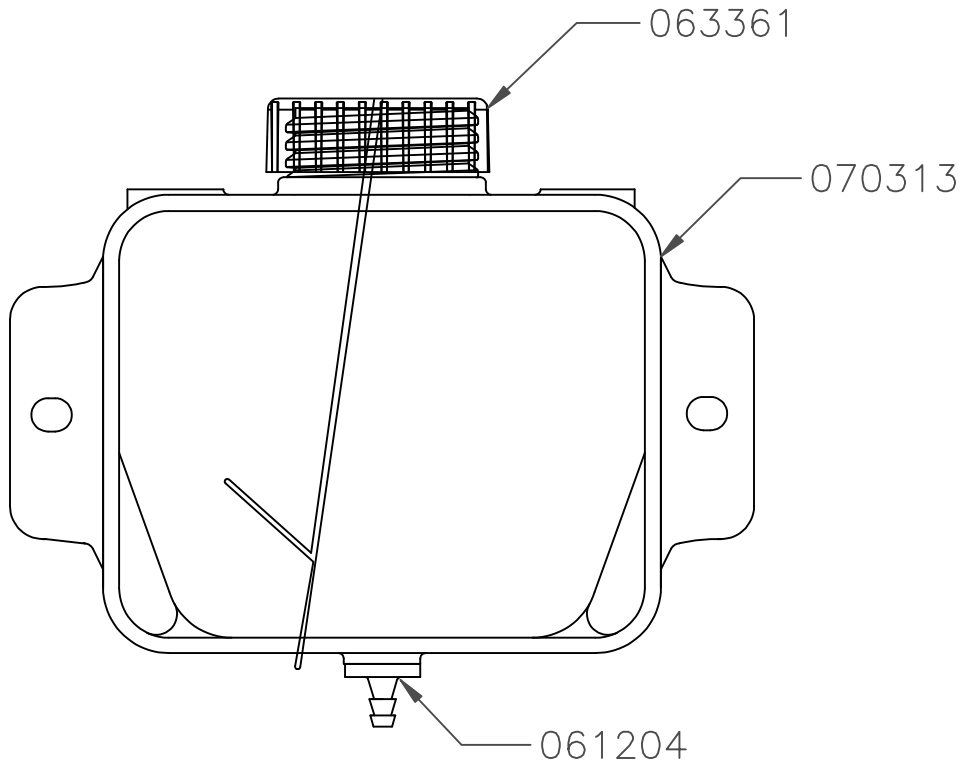



Bill of Material			REVISIONS				
Qty.	FPN	Description	ZONE	REV	DESCRIPTION	DATE	APPROVED
1	070313	1.0 Qt. Base Tank	N/A	A	Create Print	05/08/07	S. Wood
1	063361	2.25" Vented Cap					
1	061204	.312 Str. Conn. Fitting					



As a supplier of proprietary products, this Flambeau print serves as the controlled document and supercedes all customer prints.

C O N F I D E N T I A L							
X.X ± 0.060 X.XX ± 0.030 X.XXX ± 0.010 ANGLES ± 1°				FLAMBEAU, Inc. Fluid Systems Division			
		DESCRIPTION		1 Qt. Base Tank			
		CUSTOMER		Fluids			
DRAWN BY	DATE	SIZE	MOLD NO.	DWG. NO.		REV	
S. Wood	05/08/07	A	4902	070314		A	
APPROVED BY	DATE	SCALE	NTS	FPN	CPN	SHEET 1 OF 1	
S. Wood	05/08/07			070314	N/A		