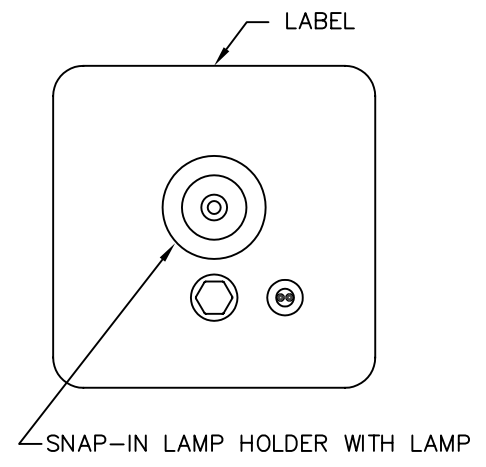
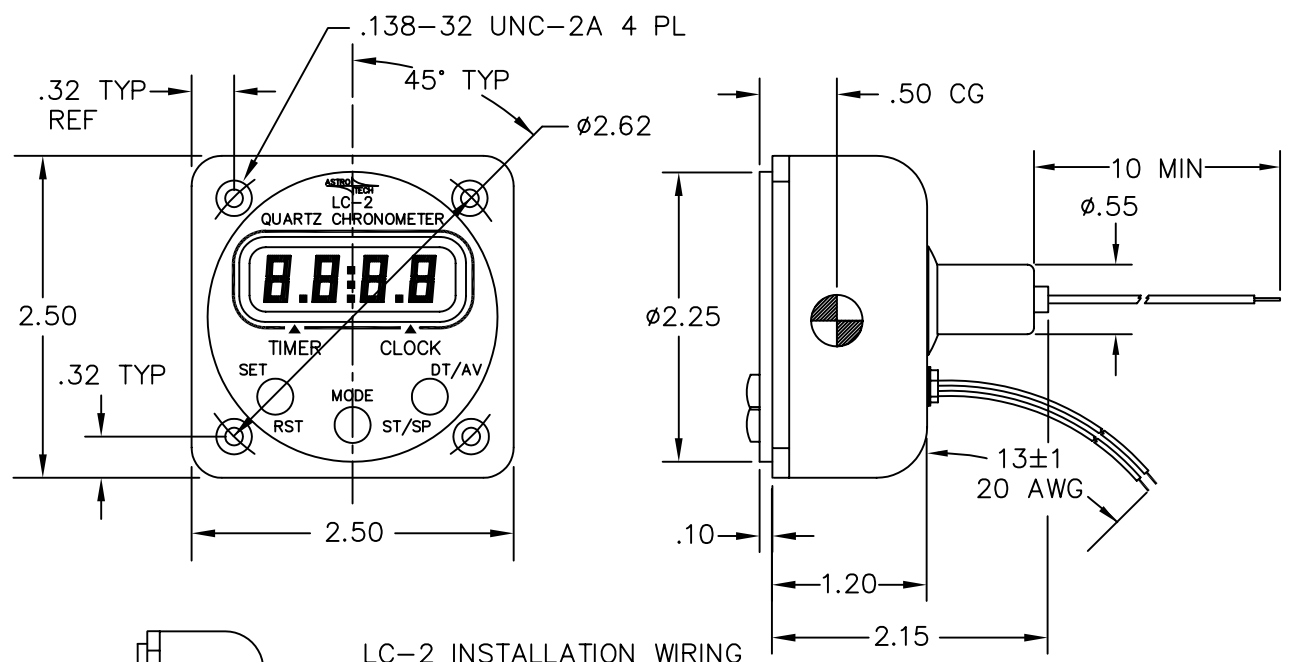
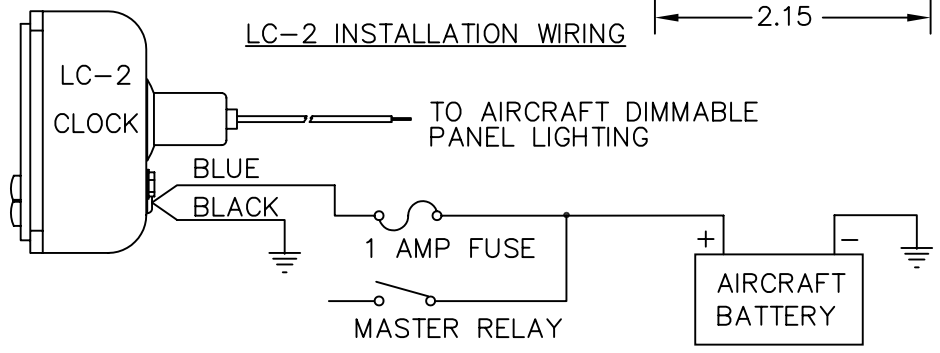


REVISIONS				
ZONE	REV	DESCRIPTION	DATE	APPROVED
	-	INITIAL RELEASE	1/22/97	JD
	A	ECO #13039		

- NOTES:
1. INPUT VOLTAGE: 10-40 DC AT .4 MILLIAMPS MAXIMUM
 2. WEIGHT: .25 POUNDS
 3. #1850 LAMP IS OPTIONAL



LAMP TYPE	VOLTS	MAX AMPS
#1850	5	.1
#53	14	.15
#1819	28	.05



Aerospace Display Systems, Inc.
Hatfield, PA 19440

SIZE B	FSCM NO. 65907	DWG NO. AT420000	REV A
SCALE NONE	420000-2	SHEET 2 OF 2	

65907 DWG NO AT420000 SHIT 2 REV A